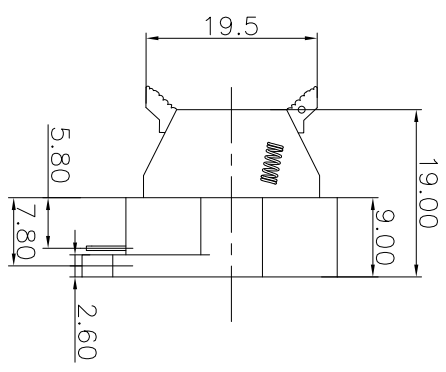
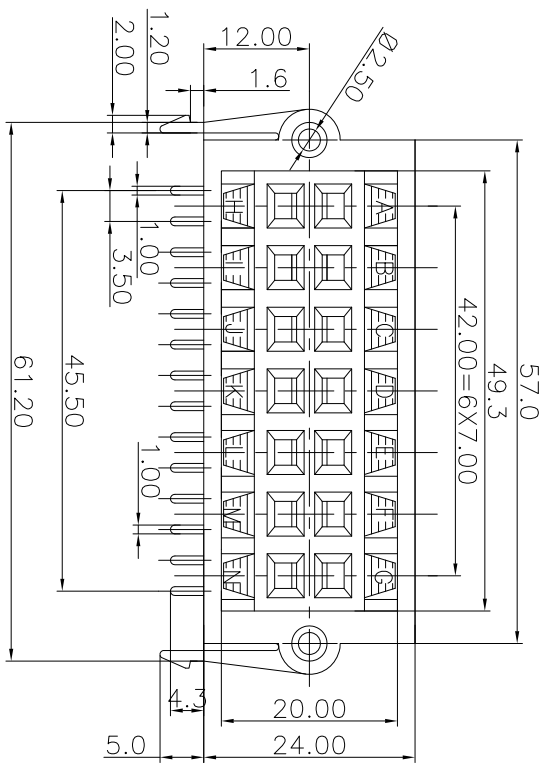


REV.	ECN NO.	MODIFIED MARK	APPROVED
A		FIRST RELEASE	



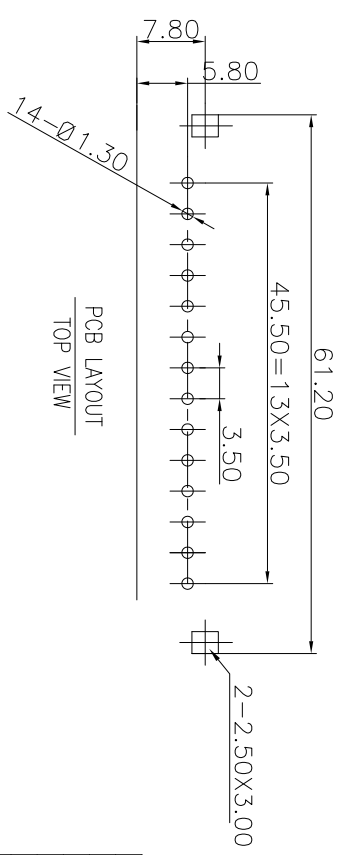
NOTES:

ELECTRICAL:

- 1:RATED CURRENT: 3A Max.
- 2:RATED VOLTAGE: 50V AC.
- 3:INSULATION RESISTANCE: 100 MEGAOHMS Min.
- 4:DILECTRIC WITHSTANDING VOLTAGE: 1200 VAC Min.

MECHANICAL:

- 1:WIRE IN HOLD FORCE 5N (20#WIRE) MIN
- 2:INSPECTED VOLTAGE, AT THE SPEED OF 6-10S PER MINUTES, THE SAMPLES ARE INSPECTED 10000 CYCLES, BUT THERE ARE NO DAMAGE ON THE PRESSURE AND THE RISING TEMPERATURE, ETC.3:APPLY 2kgf FORCE AT ANY DIRECTION , THERE NO LOOSE & NO CRACK



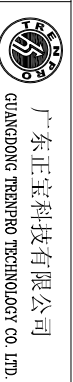
PGB LAYOUT
TOP VIEW

ANGLE	±5°
63 < L	±0.5
16 < L ≤ 63	±0.4
4 < L ≤ 16	±0.3
L ≤ 4	±0.2

TOL TABLE:

THIS DOCUMENT IS THE PROPERTY OF ZHENHAI ELECTRONICS CO.LTD,NO PART THEREOF MAY BE REPRODUCED AND USED WITHOUT THE PRIOR WRITTEN CONSENT OF THE OWNER

MODEL NAME: WP14-01 (PART NO.)	DESIGN: X.H.Wang 08/16'18	TITLE: WP PUSH TERMINAL
MAT'L: See table	CHECKED: L.W.Wu 08/16'18	DWG NO.:
FINISH: See table	APPROVED: X.Q.Hu 08/16'18	UNIT: mm
Q'TY: /		VIEW:
		SCALE: 5:1
		SHEET: 1/1
		SIZE: A3



广东正宝科技有限公司
GUANGDONG ZHENHAIPRO TECHNOLOGY CO. LTD.