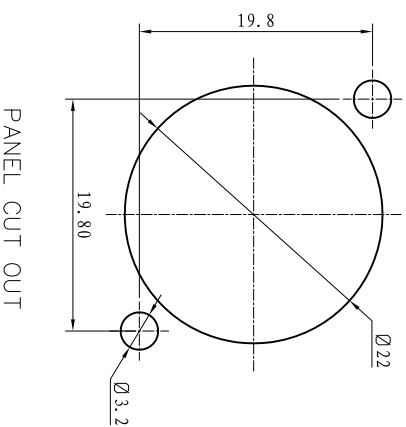
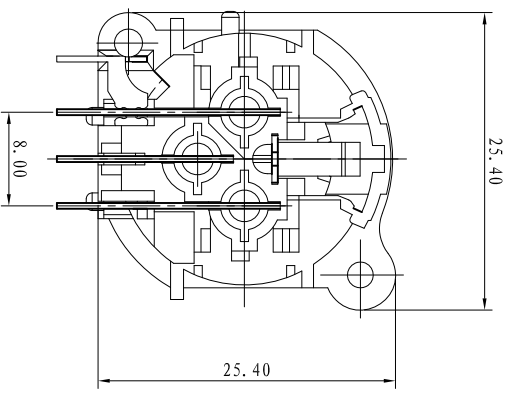
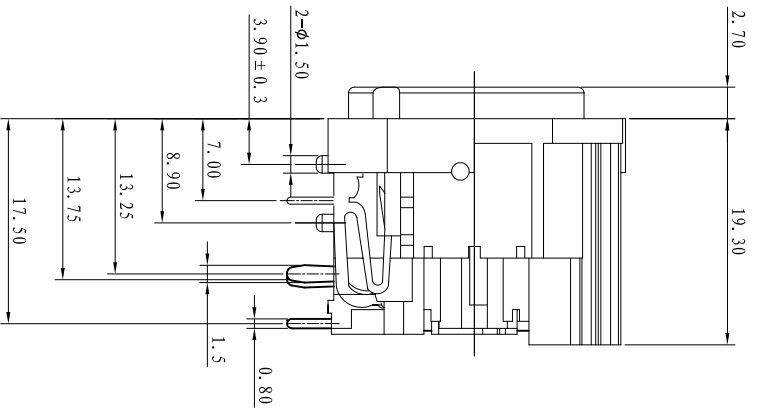
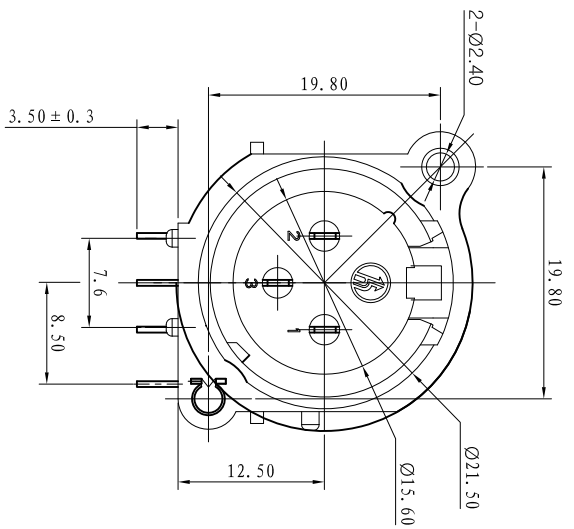
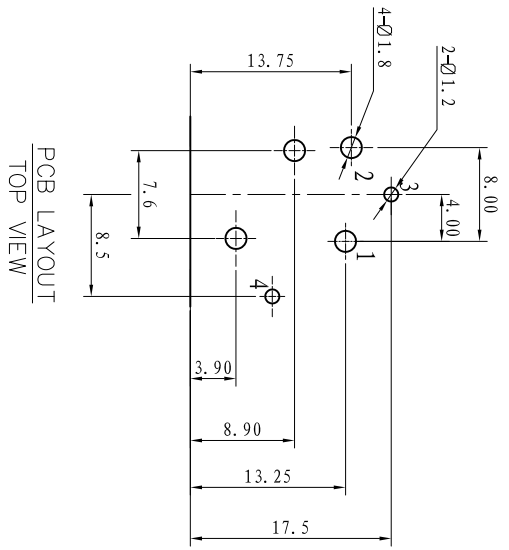


REV. A	ECN NO.	MODIFIED MARK	APPROVED
		FIRST RELEASE	



PANEL CUT OUT



PCB LAYOUT
TOP VIEW

NOTES:
ELECTRICAL:
1: RATED CURRENT: 3A Max.
2: RATED VOLTAGE: 50V AC.
3: CONTACT RESISTANCE: 30 MILLIOHMS Max.
AFTER TESTING: 60 MILLIOHMS Max.
4: INSULATION RESISTANCE: 1G OHMS Min.
5: DIELECTRIC WITHSTANDING VOLTAGE: 500 VAC Min.
MECHANICAL:
1: INSERTION FORCE: 5N-40N.
2: WITHDRAWAL FORCE: 5N-40N.
3: DURABILITY: 1000 CYCLES.
ENVIRONMENTAL:
TEMPERATURE RANGE: -30°C TO 80°C.

ANGLE	±5°	MODEL NAME: SPF-07K	 广东正宝科技有限公司 GUANGDONG ZHENBAO TECHNOLOGY CO., LTD.	TITLE: XLR CABLE CONNECTORS	REV.: A
63 < L	±0.5	(PART NO.)			SIZE: A3
16 < L ≤ 63	±0.4	MAT'L: See table			
4 < L ≤ 16	±0.3	FINISH: See table			
L ≤ 4	±0.2	Q'TY: /			
TOL. TABLE:		DESIGN: Z.F.Lion 08/14'18			
THIS DOCUMENT IS THE PROPERTY OF ZHENBAO ELECTRONICS CO., LTD. AND IT SHOULD NOT BE REPRODUCED AND USED WITHOUT THE PRIOR WRITTEN CONSENT OF THE OWNER		CHECKED: L.W.Wu 08/14'18			
		APPROVED: Q.Hu 08/14'18			
		UNIT: mm			
		VIEW:			
		SCALE: 5:1			
		SHEET: 1/1			