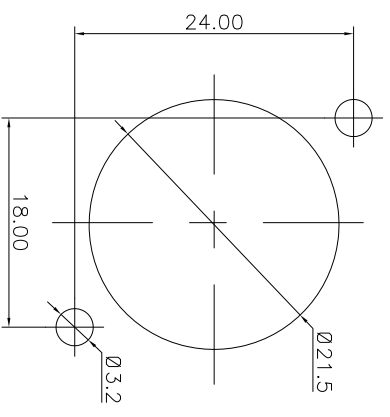
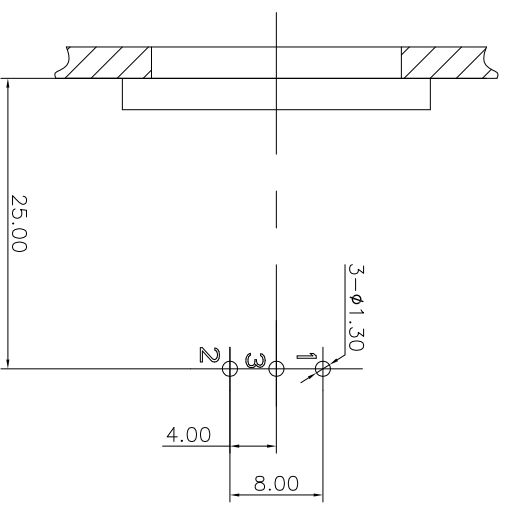
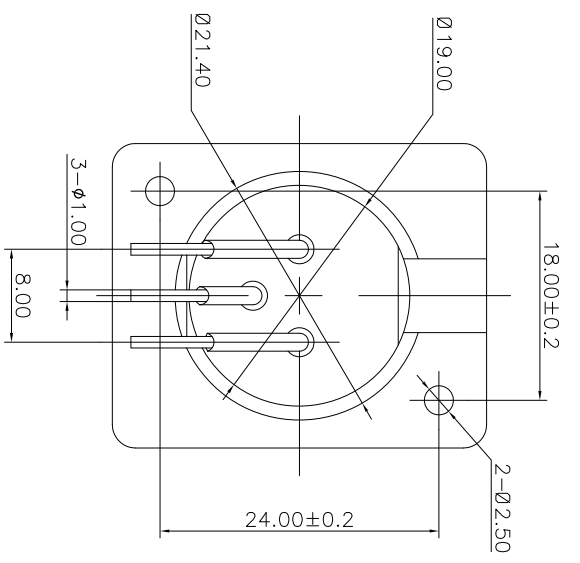
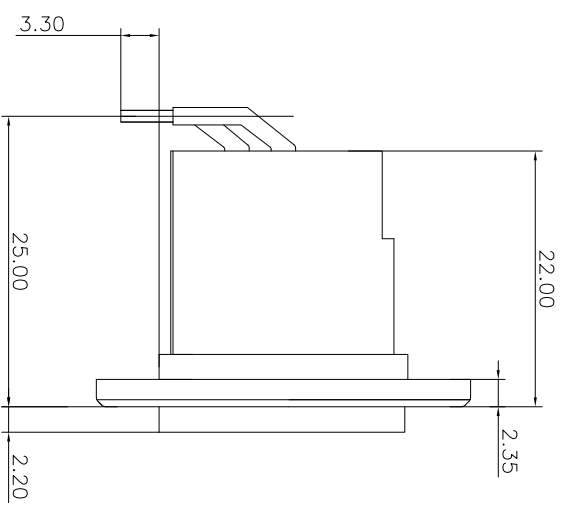
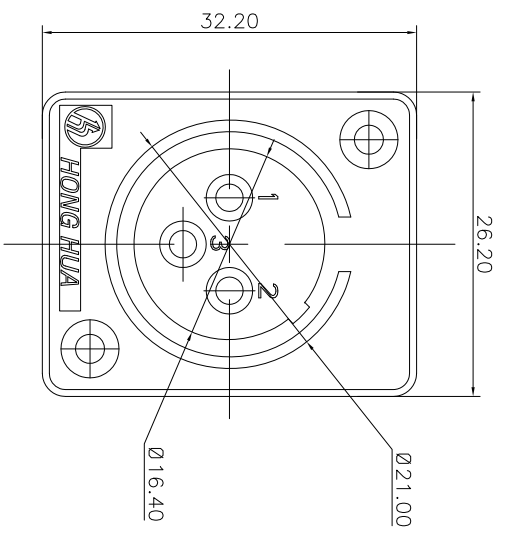


REV.	ECN NO.	MODIFIED MARK	APPROVED
A		FIRST RELEASE	



PANEL CUT OUT

ANGLE	±5°
63 < L	±0.5
16 < L ≤ 63	±0.4
4 < L ≤ 16	±0.3
L ≤ 4	±0.2

TOL TABLE:
 THIS DOCUMENT IS THE PROPERTY OF
 TRENPRO TECHNOLOGY CO., LTD., NO PART
 THEREOF MAY BE REPRODUCED AND
 USED WITHOUT THE PRIOR WRITTEN
 CONSENT OF THE OWNER

MODEL NAME: SPM-14
 (PART NO.)

DESIGN: X.H.Wong 08/16'18
 CHECKED: L.W.Wu 08/16'18

TITLE: XLR CABLE CONNECTORS

GUANGDONG TRENPRO TECHNOLOGY CO. LTD.

NOTES:
 ELECTRICAL:
 1: RATED CURRENT: 6A Max.
 2: RATED VOLTAGE: 50V AC.
 3: CONTACT RESISTANCE: 30 MILLIOHMS Max.
 AFTER TESTING: 60 MILLIOHMS Max.
 4: INSULATION RESISTANCE: 1G OHMS Min.
 5: DIELECTRIC WITHSTANDING VOLTAGE: 500 VAC Min.

MECHANICAL:
 1: INSERTION FORCE: 5N-40N.
 2: WITHDRAWAL FORCE: 5N-40N.
 3: DURABILITY: 1000 CYCLES.

ENVIRONMENTAL:
 TEMPERATURE RANGE: -30°C TO 80°C.

QTY: /	APPROVED: X.H.Wu 08/16'18	UNIT: mm	VIEW:	SCALE: 5:1	SHEET: 1/1	SIZE: A3
MAT'L: See table	DESIGN: X.H.Wong 08/16'18	TITLE: XLR CABLE CONNECTORS	REV.: A			
FINISH: See table	CHECKED: L.W.Wu 08/16'18	DWG NO.:				

PCB LAYOUT
TOP VIEW