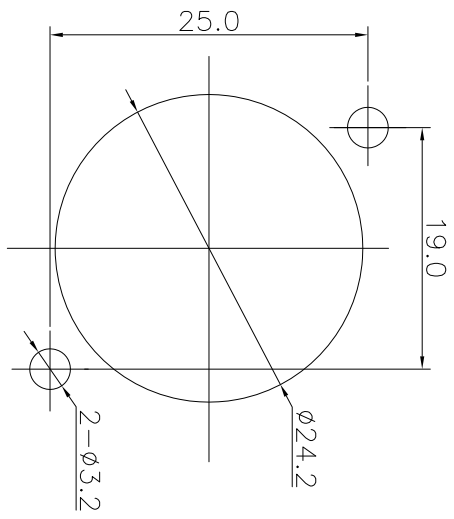
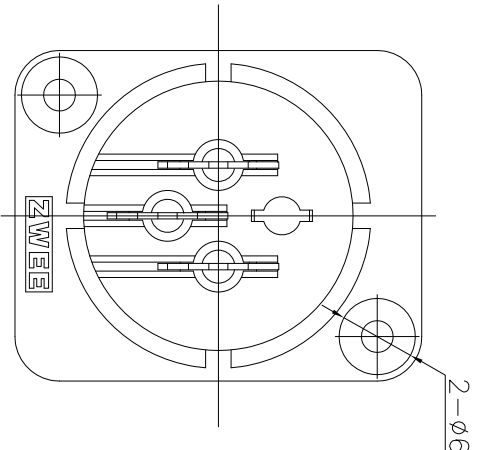
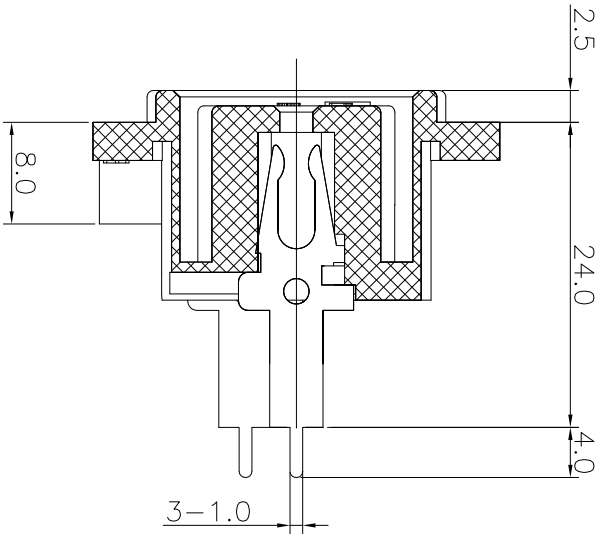
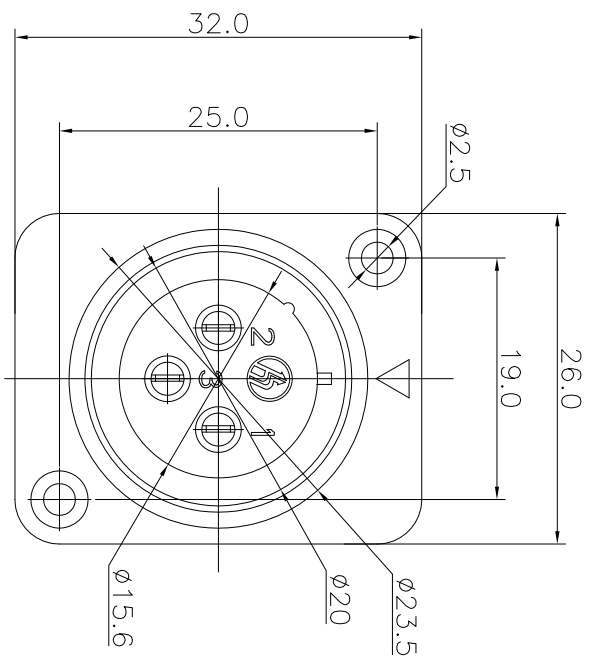
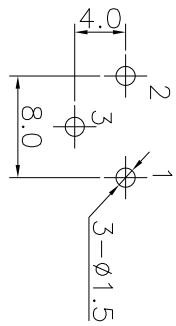


REV.	ECN NO.	MODIFIED MARK	APPROVED
A		FIRST RELEASE	



PANEL CUTOUT

- NOTES:
- ELECTRICAL:
- 1: RATED CURRENT: 6A Max.
  - 2: RATED VOLTAGE: 50V AC.
  - 3: CONTACT RESISTANCE: 30 MILLIOHMS Max.
  - 4: INSULATION RESISTANCE: 1G OHMS Min.
  - 5: DIELECTRIC WITHSTANDING VOLTAGE: 500 VAC Min.
- MECHANICAL:
- 1: INSERTION FORCE: 5N-40N.
  - 2: WITHDRAWAL FORCE: 5N-40N.
  - 3: DURABILITY: 1000 CYCLES.
- ENVIRONMENTAL:
- TEMPERATURE RANGE: -30°C TO 80°C.



PCB LAYOUT  
TOP VIEW

ANGLE	±5°
63 < L	±0.5
16 < L ≤ 63	±0.4
4 < L ≤ 16	±0.3
L ≤ 4	±0.2

TOL TABLE:

THIS DOCUMENT IS THE PROPERTY OF  
TERPRO TECHNOLOGY CO., LTD. NO PART  
THEREOF MAY BE REPRODUCED AND  
USED WITHOUT THE PRIOR WRITTEN  
CONSENT OF THE OWNER

MODEL NAME: SPF-27 (PART NO.)	DESIGN: X.H.Wong 08/31'18	TITLE: XLR CABLE CONNECTORS	REV.: A
CHECKED: L.W.Wu 08/31'18	DWG NO.:	VIEW:	SCALE: SHEET: 5:1 1/1
APPROVED: X.Q.Hu 08/31'18	UNIT: mm	SIZE: A3	



广东正宝科技有限公司  
GUANGDONG TERPRO TECHNOLOGY CO., LTD.