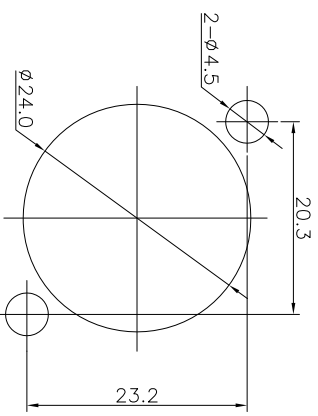
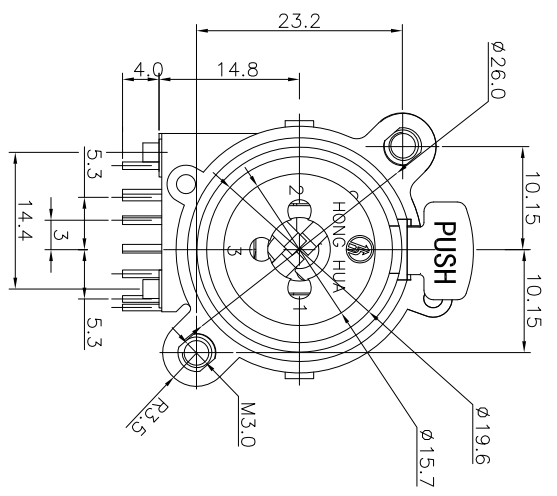
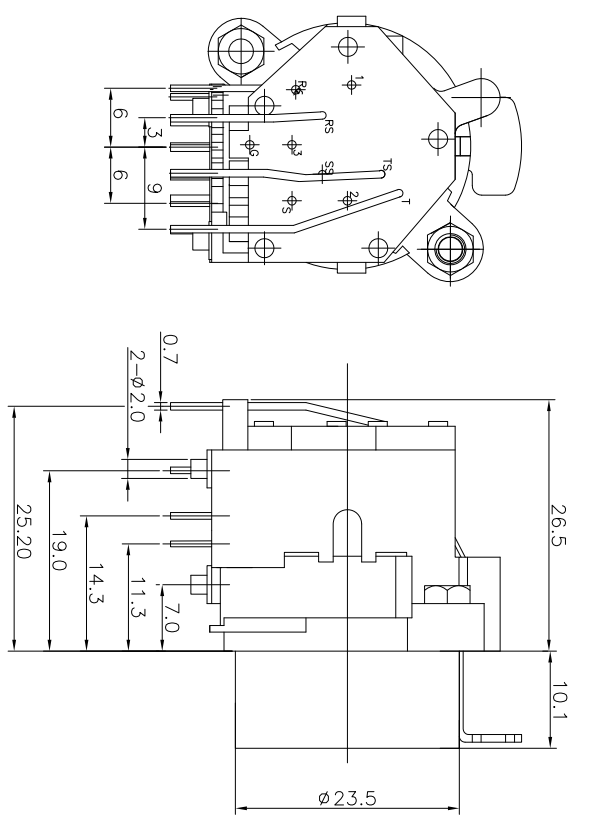
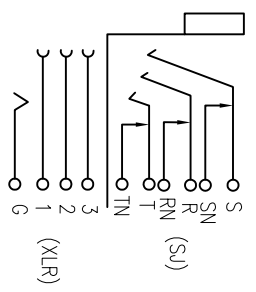
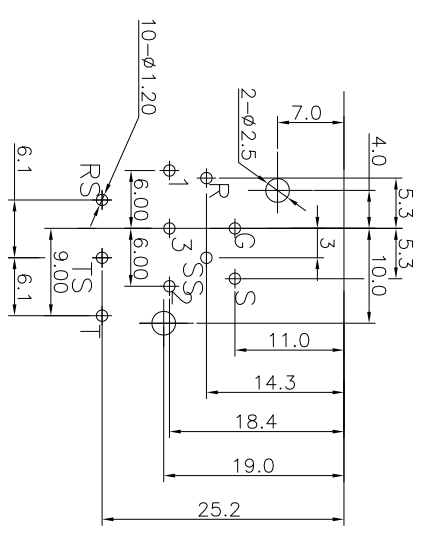


REV.	ECN NO.	MODIFIED MARK	APPROVED
A		FIRST RELEASE	



PANEL CUT OUT



SCHEMATIC

- NOTES:
- ELECTRICAL:
- 1: RATED CURRENT: 7.5 A MAX.
  - 2: RATED VOLTAGE: 50 V AC.
  - 3: CONTACT RESISTANCE: XLR: 30 MILLIOHMS MAX. JACK: 30 MILLIOHMS MAX.
  - 4: INSULATION RESISTANCE: 1 G OHMS MIN.
  - 5: DIELECTRIC WITHSTANDING VOLTAGE: 500 VAC MIN.
- MECHANICAL:
- 1: INSERTION FORCE: 5N~40N
  - 2: WITHDRAWAL FORCE: 5N~40N.
  - 4: DURABILITY: 1000 CYCLES.
- ENVIRONMENTAL:
- TEMPERATURE RANGE: -30°C TO 80°C.

PCB LAYOUT TOP VIEW

ANGLE	±5°
63 < L	±0.5
16 < L ≤ 63	±0.4
4 < L ≤ 16	±0.3
L ≤ 4	±0.2

TOL TABLE:		THIS DOCUMENT IS THE PROPERTY OF TRENPRO TECHNOLOGY CO. LTD. NO PART THEREOF MAY BE REPRODUCED AND USED WITHOUT THE PRIOR WRITTEN CONSENT OF THE OWNER	
MODEL NAME:	SPC-04B-10P	DESIGN:	X.H.Wang 09/19'18
(PART NO.)		CHECKED:	L.W.Wu 09/19'18
MAT'L:	See table	DWG NO.:	
FINISH:	See table	TITLE:	XLR CABLE CONNECTORS
Q'Ty: /		APPROVED:	X.Q.Hu 09/19'18
UNIT:	mm	VIEW:	5:1
SCALE:	5:1	SHEET:	1/1
SIZE:	A3	REV.:	A

