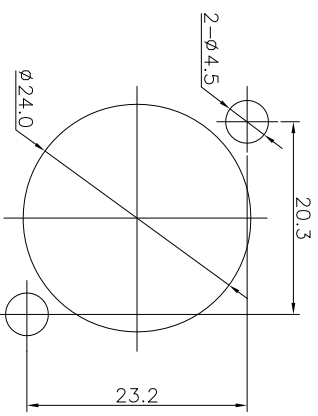
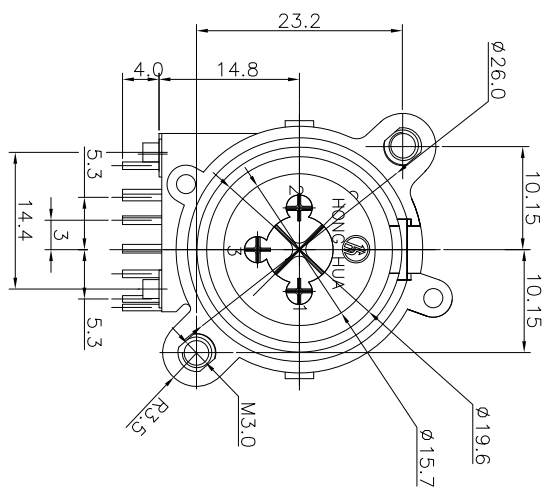
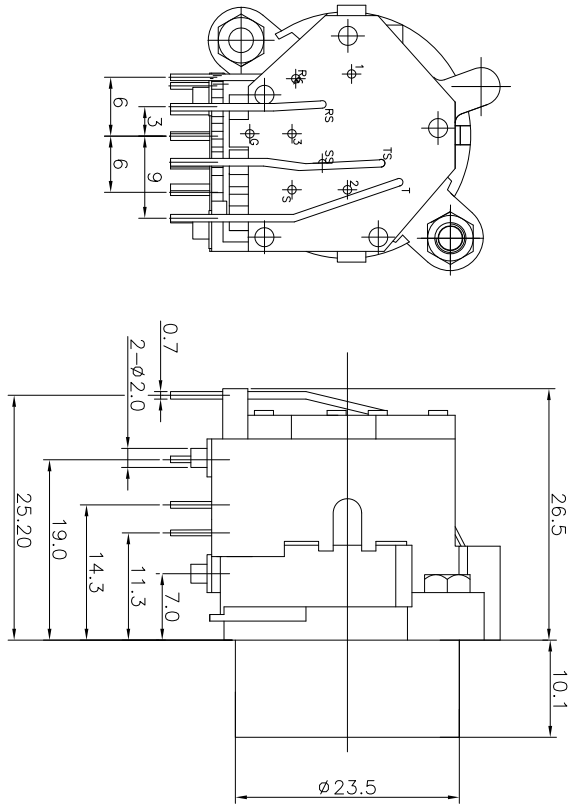
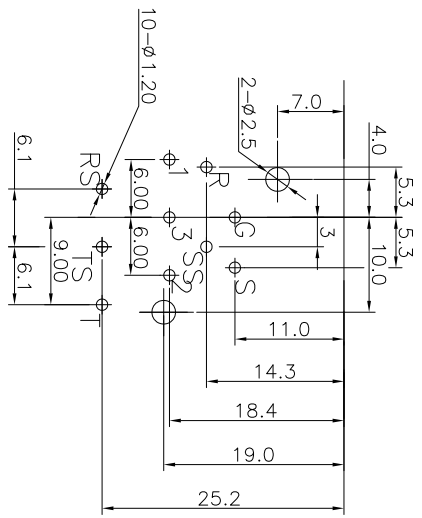


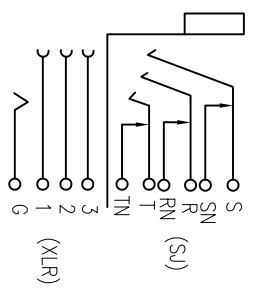
REV.	ECN NO.	MODIFIED MARK	APPROVED
A		FIRST RELEASE	



PANEL CUT OUT



PCB LAYOUT
TOP VIEW



SCHEMATIC

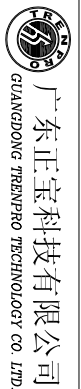
- NOTES:
- ELECTRICAL:
- 1: RATED CURRENT: 7.5 A MAX.
 - 2: RATED VOLTAGE: 50 V AC.
 - 3: CONTACT RESISTANCE: XLR: 30 MILLIOHMS MAX. JACK: 30 MILLIOHMS MAX.
 - 4: INSULATION RESISTANCE: 1 G OHMS MIN.
 - 5: DIELECTRIC WITHSTANDING VOLTAGE: 500 VAC MIN.
- MECHANICAL:
- 1: INSERTION FORCE: 5N~40N
 - 2: WITHDRAWAL FORCE: 5N~40N.
 - 4: DURABILITY: 1000 CYCLES.
- ENVIRONMENTAL:
- TEMPERATURE RANGE: -30°C TO 80°C.

ANGLE	±5°
63 < L	±0.5
16 < L ≤ 63	±0.4
4 < L ≤ 16	±0.3
L ≤ 4	±0.2

TOL TABLE:

THIS DOCUMENT IS THE PROPERTY OF
TRENPRO TECHNOLOGY CO. LTD.
NO PART THEREOF MAY BE REPRODUCED
AND USED WITHOUT THE PRIOR WRITTEN
CONSENT OF THE OWNER

MODEL NAME: (PART NO.)	SPC-04C-10P
DESIGN:	X.H.Wang 09/19'18
CHECKED:	L.W.Wu 09/19'18
APPROVED:	X.Q.Hu 09/19'18
FINISH:	See table
Q'TY: /	
UNIT:	mm
VIEW:	
SCALE:	5:1
SHEET:	1/1
SIZE:	A3
REV.:	A
TITLE:	XLR CABLE CONNECTORS
DWG NO.:	



广东正宝科技有限公司
GUANGDONG TRENPRO TECHNOLOGY CO. LTD.