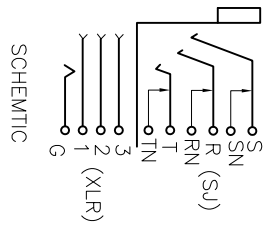
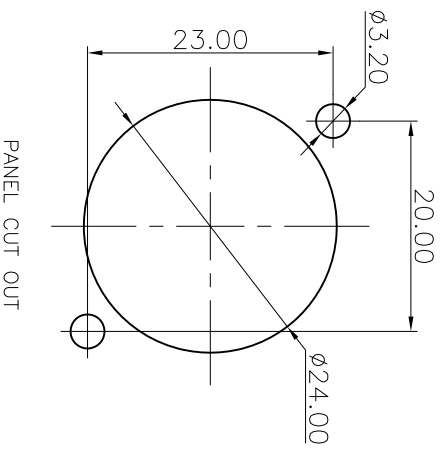
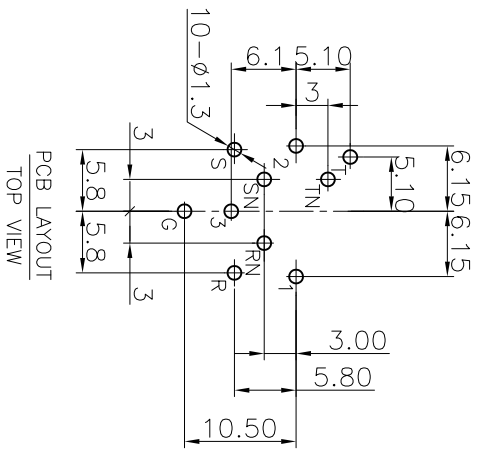
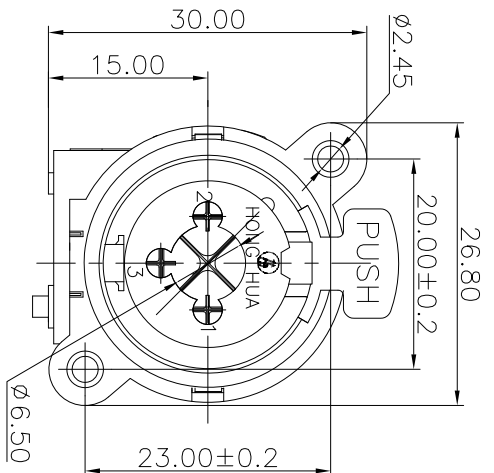
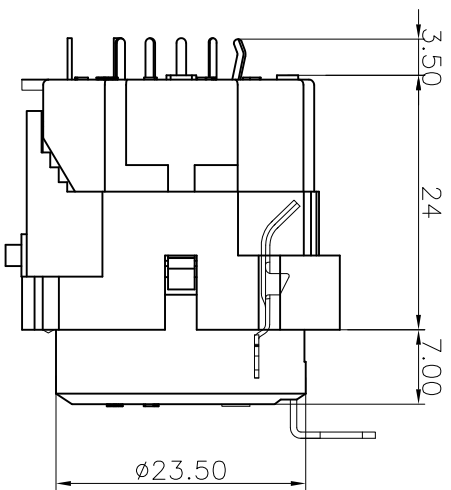
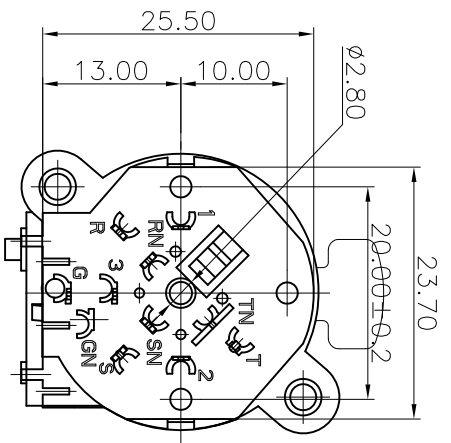


REV. A	ECN NO.	MODIFIED MARK	APPROVED
		FIRST RELEASE	



NOTES:
 ELECTRICAL:
 1: RATED CURRENT: 7.5 A MAX.
 2: RATED VOLTAGE: 50 V AC.
 3: CONTACT RESISTANCE: XLR: 30 MILLIOHMS MAX. JACK: 30 MILLIOHMS MAX.
 4: INSULATION RESISTANCE: 1 G OHMS MIN.
 5: DIELECTRIC WITHSTANDING VOLTAGE: 500 VAC MIN.
 MECHANICAL:
 1: INSERTION FORCE: 5N~40N
 2: WITHDRAWAL FORCE: 5N~40N.
 4: DURABILITY: 1000 CYCLES.
 ENVIRONMENTAL:
 TEMPERATURE RANGE: -30°C TO 80°C.

ANGLE	±5°	MODEL NAME: SPC-15A-10P	 广东正宝科技有限公司 GUANGDONG TRENPRO TECHNOLOGY CO., LTD.	TITLE: XLR CABLE CONNECTORS	REV.: A
63 < L	±0.5	(PART NO.)		DWG NO.:	SIZE: A3
16 < L ≤ 63	±0.4		DESIGN: Z.F.Lian 08/20'18	SHEET: 1/1	
4 < L ≤ 16	±0.3		CHECKED: L.W.Wu 08/20'18	SCALE: 5:1	
L ≤ 4	±0.2		FINISH: See table	VIEW:	
TOL TABLE:			MAT'L: See table	UNIT: mm	
THIS DOCUMENT IS THE PROPERTY OF TRENPRO TECHNOLOGY CO., LTD. NO PART THEREOF MAY BE REPRODUCED AND USED WITHOUT THE PRIOR WRITTEN CONSENT OF THE OWNER			Q'TY: /	APPROVED: X.Q.Hu 08/20'18	