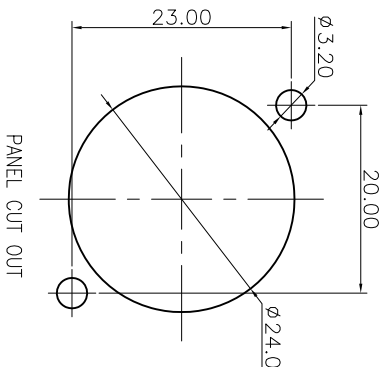
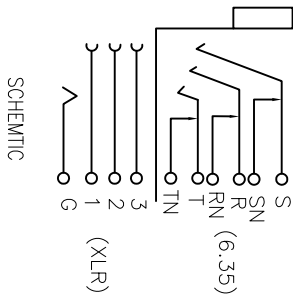
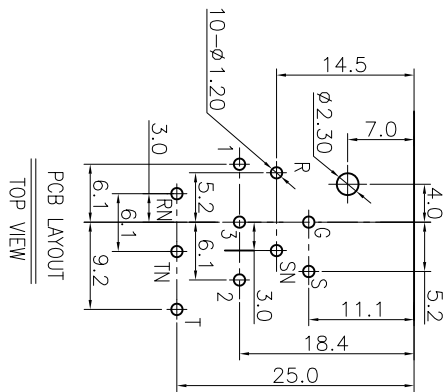
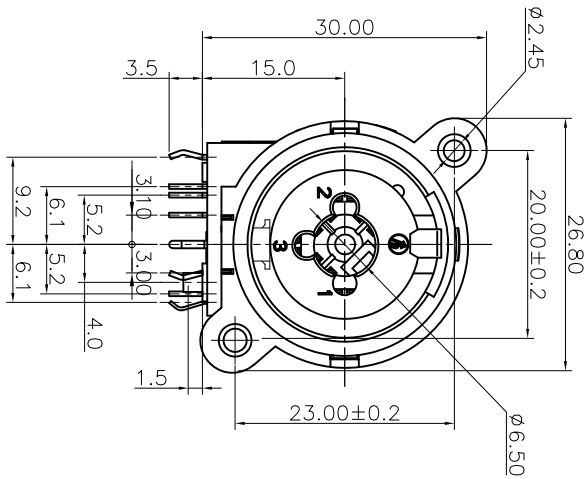
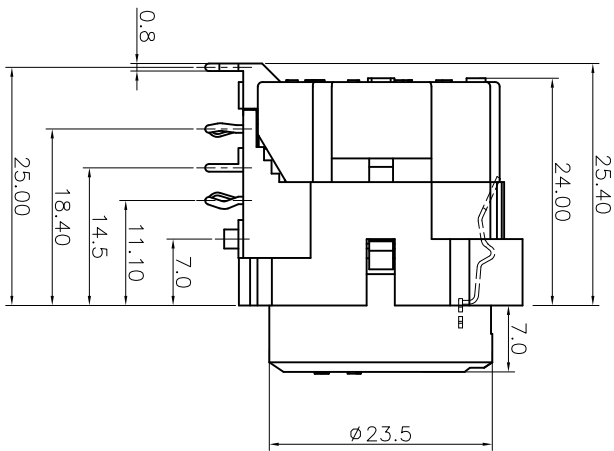


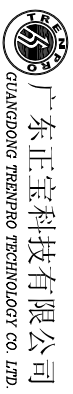
REV.	ECN NO.	MODIFIED MARK	APPROVED
A		FIRST RELEASE	



- NOTES:
- ELECTRICAL:
 - 1:RATED CURRENT: 7.5 A MAX.
 - 2:RATED VOLTAGE: 50 V AC.
 - 3:CONTACT RESISTANCE: XLR:30 MILLIOHMS MAX. JACK:30 MILLIOHMS MAX.
 - MECHANICAL:
 - 1:INSERTION FORCE: 5N~40N
 - 2:WITHDRAWAL FORCE: 5N~40N.
 - 4:DURABILITY: 1000 CYCLES.
 - ENVIRONMENTAL:
 - TEMPERATURE RANGE: -30°C TO 80°C.
 - MAX.
 - 4:INSULATION RESISTANCE: 1 G OHMS MIN.
 - 5:DIELECTRIC WITHSTANDING VOLTAGE: 500 VAC MIN.

ANGLE	±5°
63 < L	±0.5
16 < L ≤ 63	±0.4
4 < L ≤ 16	±0.3
L ≤ 4	±0.2

MODEL NAME: SPC-16D-10P (PART NO.)		TOL TABLE:	
MAT'L:	See table	FINISH:	See table
DESIGN:	X.H.Wang 08/14'18	CHECKED:	L.W.Wu 08/14'18
TITLE:	XLR CABLE CONNECTORS	APPROVED:	X.Q.Hu 08/14'18
UNIT:	mm	VIEW:	
SCALE:	5:1	SHEET:	1/1
SIZE:	A3	REV.:	A



1 2 3 4 5 6 7 8

H G F E D C B A