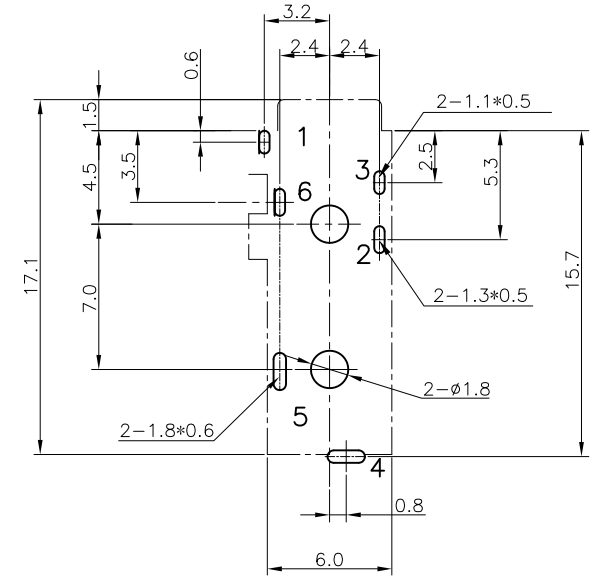
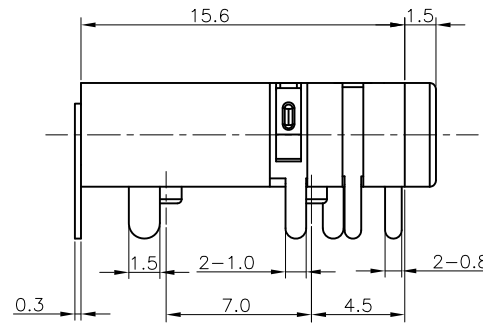
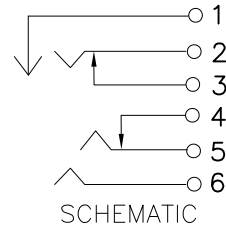
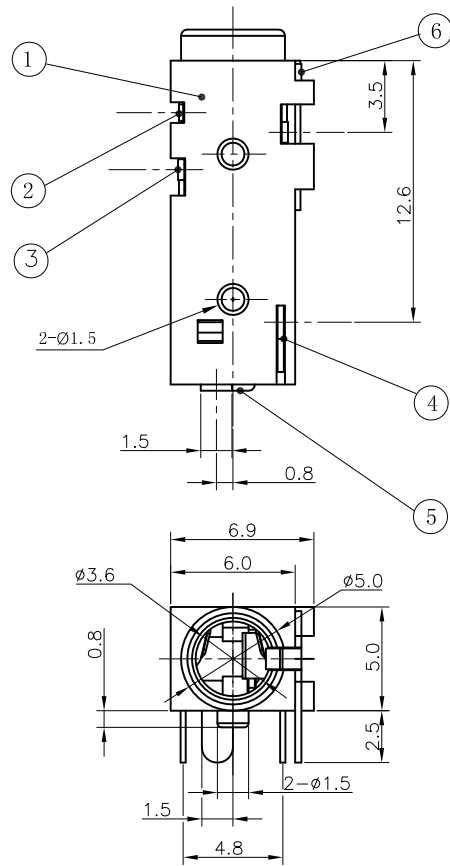


REV.	ECN NO.	MODIFIED MARK	APPROVED
A		FIRST RELEASE	



NOTES:

ELECTRICAL:

1:RATED CURRENT: 1A Max.
2:RATED VOLTAGE: 30V AC.
3:CONTACT RESISTANCE: 100 MILLIOHMS Max.
AFTER TESTING:100 MILLIOHMS Max.
4:INSULATION RESISTANCE: 100 MEGAOHMS Min.
5:DIELECTRIC WITHSTANDING VOLTAGE: 500 VAC Min.


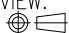
MECHANICAL:

1:INSERTION FORCE: 3N-25N.
2:WITHDRAWAL FORCE: 3N-25N.
3:DURRABILITY: 5000 CYCLES.

ENVIRONMENTAL:

TEMPERATURE RANGE: -20°C TO 60°C.

ANGLE	$\pm 5^\circ$
$63 < L$	± 0.5
$16 < L \leq 63$	± 0.4
$4 < L \leq 16$	± 0.3
$L \leq 4$	± 0.2
TOL TABLE:	
THIS DOCUMENT IS THE PROPERTY OF TRENPRO TECHNOLOGY CO. LTD.,NO PART THEREOF MAY BE REPRODUCED AND USED WITHOUT THE PRIOR WRITTEN CONSENT OF THE OWNER	

MODEL NAME: SJ3513 (PART NO.)		 广东正宝科技有限公司 GUANGDONG TRENPRO TECHNOLOGY CO. LTD.	
MAT'L: See table	DESIGN: Z.F.LIAN 01/09'19	TITLE: 3.5 PHONE JACK	
FINISH: See table	CHECKED: L.W.Wu 01/09'19	DWG NO.:	REV.: A
Q'TY: /	APPROVED: X.Q.Hu 01/09'19	UNIT: mm	VIEW: 
		SCALE: 5:1	SHEET: 1/1
		SIZE: A3	