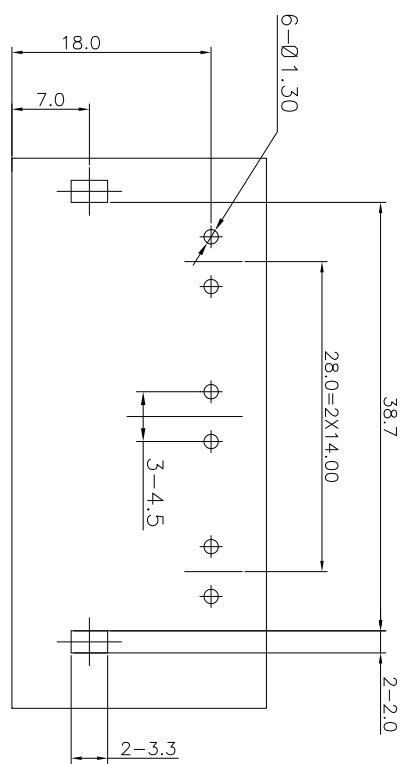
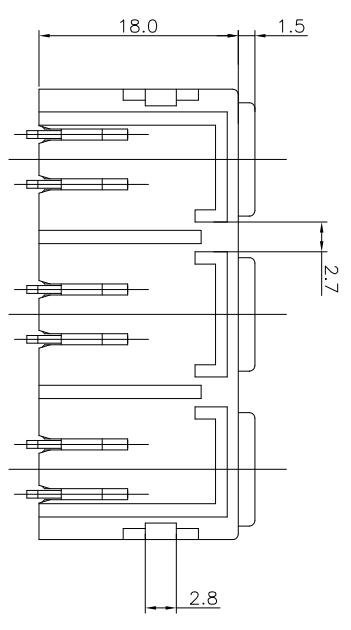
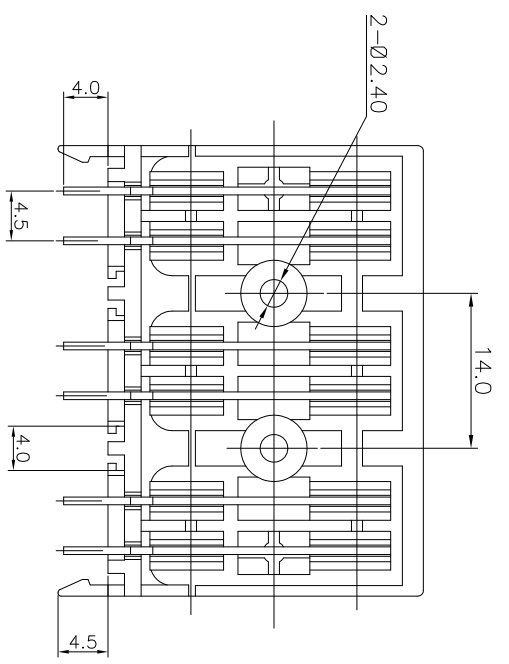
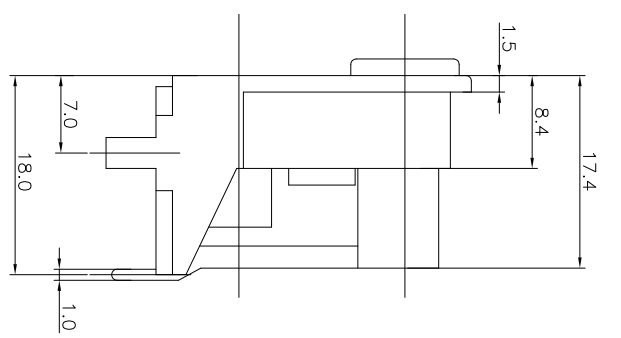
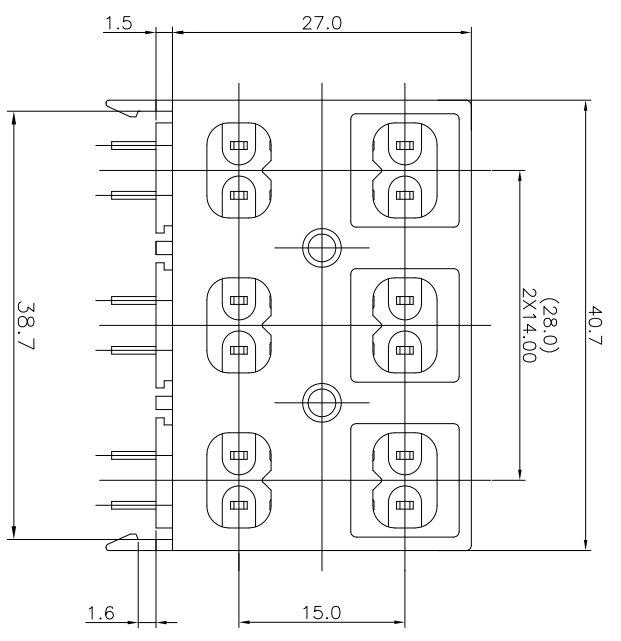


REV. A	ECN NO.	MODIFIED MARK	APPROVED
		FIRST RELEASE	



PCB LAYOUT
TOP VIEW

- NOTES:
- ELECTRICAL:
- 1:RATED CURRENT: 3A Max.
 - 2:RATED VOLTAGE: 50V AC.
 - 3:INSULATION RESISTANCE: 100 MEGAOHMS Min.
 - 4:DIELECTRIC WITHSTANDING VOLTAGE: 1200 VAC Min.
- MECHANICAL:
- 1:WIRE IN HOLD FORCE 5N (20#WIRE) MIN
 - 2:INSPECTED VOLTAGE, AT THE SPEED OF 6-10S PER MINUTES, THE SAMPLES ARE INSPECTED 10000 CYCLES, BUT THERE ARE NO DAMAGE ON THE PRESSURE AND THE RISING TEMPERATURE, ETC.
 - 3:APPLY 2kgf FORCE AT ANY DIRECTION, THERE NO LOOSE & NO CRACK

ANGLE	±5°	MODEL NAME: WP3-22	广东正宝科技有限公司 GUANGDONG TRENPRO TECHNOLOGY CO., LTD.
63 < L	±0.5	(PART NO.)	
16 < L ≤ 63	±0.4		
4 < L ≤ 16	±0.3	MAT'L: See table	DESIGN: X.H.Wang 11/06'18
L ≤ 4	±0.2	FINISH: See table	CHECKED: L.W.Wu 11/06'18
TOL TABLE:		Q'TY: /	APPROVED: X.Q.Hu 11/06'18
THIS DOCUMENT IS THE PROPERTY OF TRENPRO TECHNOLOGY CO., LTD. NO PART THEREOF MAY BE REPRODUCED AND USED WITHOUT THE PRIOR WRITTEN CONSENT OF THE OWNER		UNIT: mm	VIEW:
		SCALE: 5:1	SHEET: 1/1
			REV.: A
			SIZE: A3

