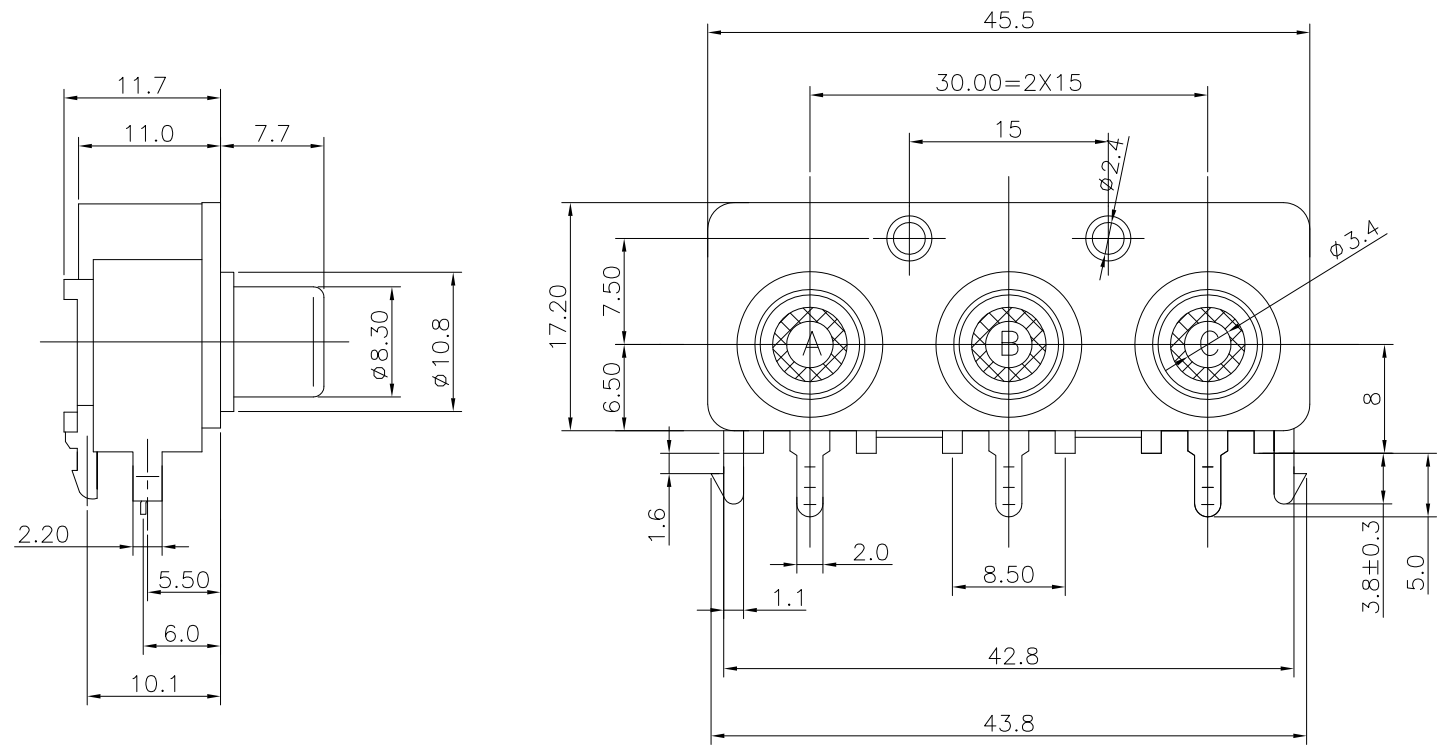
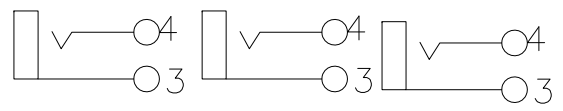
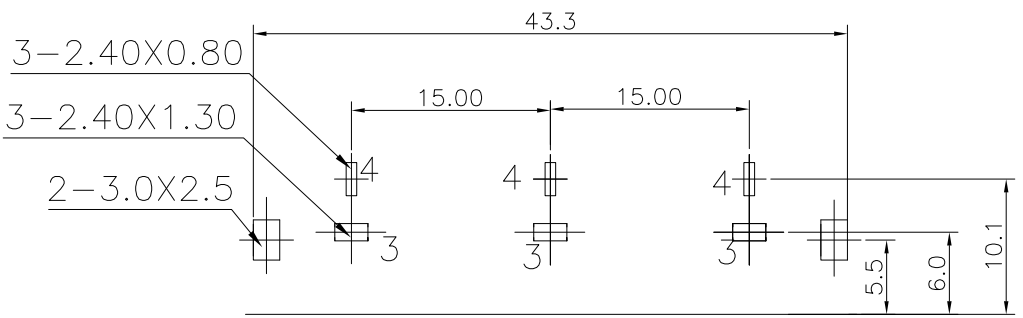
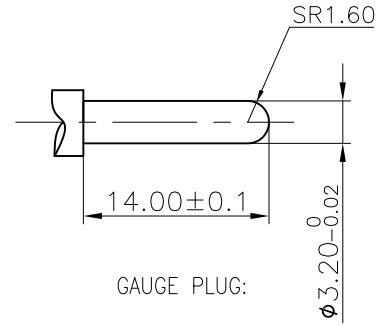


REV.	ECN NO.	MODIFIED MARK	APPROVED
A		FIRST RELEASE	


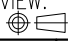


NOTES:  
 ELECTRICAL:  
 1: RATED CURRENT: 0.2A Max.  
 2: RATED VOLTAGE: 50V AC.  
 3: CONTACT RESISTANCE: 30 MILLIOHMS Max.  
 AFTER TESTING: 100 MILLIOHMS Max.  
 4: INSULATION RESISTANCE: 100 MEGAOHMS Min.  
 5: DIELECTRIC WITHSTANDING VOLTAGE: 500 VAC Min.  
 MECHANICAL:  
 1: INSERTION FORCE: 3N-30N.  
 2: WITHDRAWAL FORCE: 3N-30N.  
 3: DURRABILITY: 100 CYCLES.  
 ENVIRONMENTAL:  
 TEMPERATURE RANGE: -20°C TO 60°C.



PCB LAYOUT  
TOP VIEW

SCHEMATIC

ANGLE	±5°	MODEL NAME: RCA-305 (PART NO.)		 广东正宝科技有限公司 GUANGDONG TRENPRO TECHNOLOGY CO. LTD.	
63 < L	±0.5	MAT'L:	DESIGN: Z.F.Lian 09/07'18	TITLE: RCA PIN JACK	
16 < L ≤ 63	±0.4	See table	CHECKED: L.W.Wu 09/07'18	DWG NO.:	
4 < L ≤ 16	±0.3	FINISH:	APPROVED: X.Q.Hu 09/07'18	REV.: A	
L ≤ 4	±0.2	See table	Q'TY: /	UNIT: mm	VIEW: 
TOL TABLE:		THIS DOCUMENT IS THE PROPERTY OF ZHENGWEI ELECTRONICS CO.,LTD. NO PART THEREOF MAY BE REPRODUCED AND USED WITHOUT THE PRIOR WRITTEN CONSENT OF THE OWNER		SCALE: 5:1	SHEET: 1/1
				SIZE: A3	