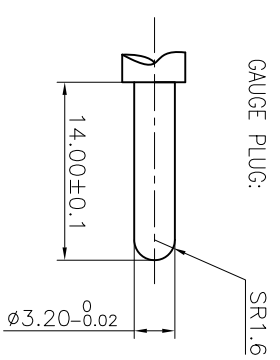
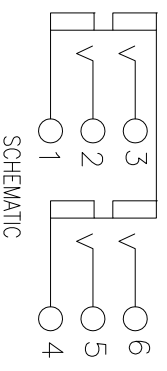
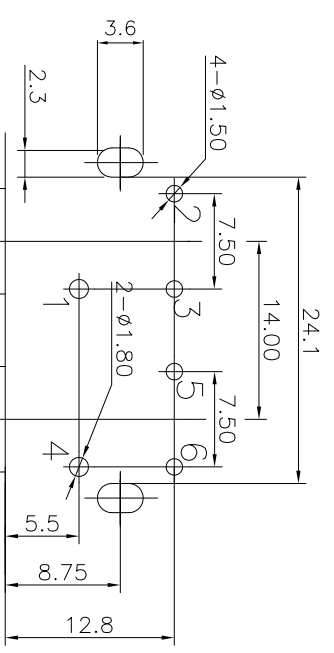
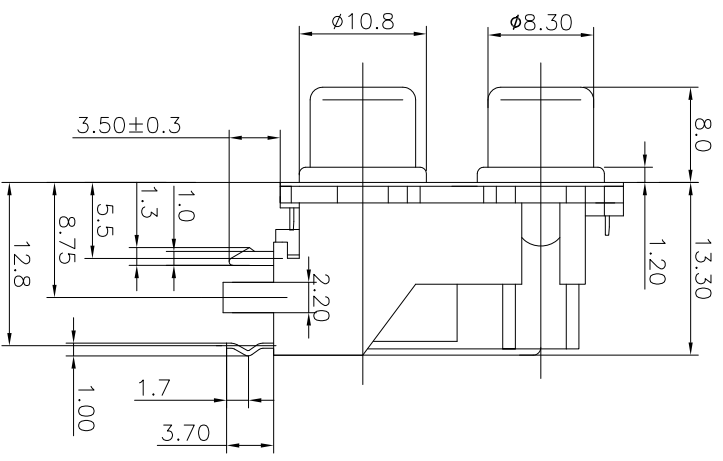
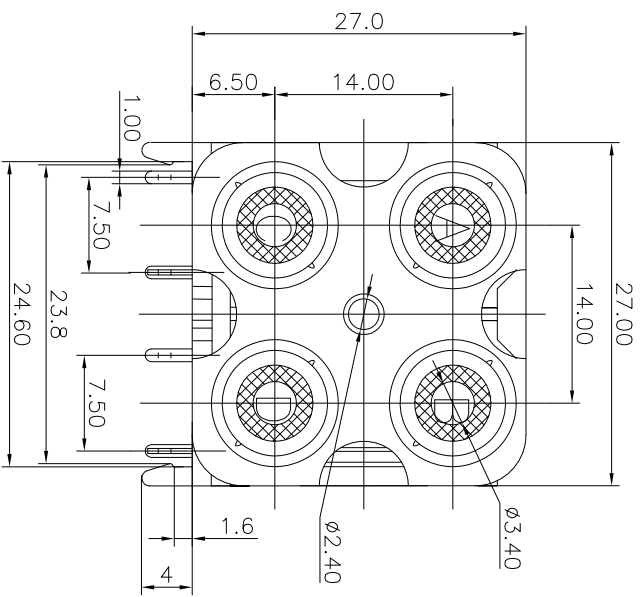


REV.	ECN NO.	MODIFIED MARK	APPROVED
A		FIRST RELEASE	



NOTES:
ELECTRICAL:
1:RATED CURRENT: 0.2A Max.
2:RATED VOLTAGE: 50V AC.
3:CONTACT RESISTANCE: 30 MLLIOHMS Max.
AFTER TESTING:100 MLLIOHMS Max.
4:INSULATION RESISTANCE: 100 MEGAOHMS Min.
5:DIIELECTRIC WITHSTANDING VOLTAGE: 500 VAC Min.

MECHANICAL:
1:INSERTION FORCE: 3N-30N.
2:WITHDRAWAL FORCE: 3N-30N.
3:DURABILITY: 100 CYCLES.

ENVIRONMENTAL:
TEMPERATURE RANGE: -20°C TO 60°C.

PCB LAYOUT
TOP VIEW

ANGLE	±5°
63 < L	±0.5
16 < L ≤ 63	±0.4
4 < L ≤ 16	±0.3
L ≤ 4	±0.2

TOL TABLE:
THIS DOCUMENT IS THE PROPERTY OF
TERPRO TECHNOLOGY CO., LTD.NO PART
THEREOF MAY BE REPRODUCED AND
USED WITHOUT THE PRIOR WRITTEN
CONSENT OF THE OWNER

MODEL NAME: RCA-413P (PART NO.)	DESIGN: X.H.Wang	DATE: 11/15/18	TITLE: RCA PIN JACK
FINISH: See table	CHECKED: L.W.Wu	DATE: 11/15/18	DWG NO.:
QTY: /	APPROVED: X.Q.Hu	DATE: 11/15/18	UNIT: mm
			VIEW: 5:1
			SCALE: SHEET: 1/1
			SIZE: A3
			REV.: A

广东正宝科技有限公司
GUANGDONG TERPRO TECHNOLOGY CO., LTD.