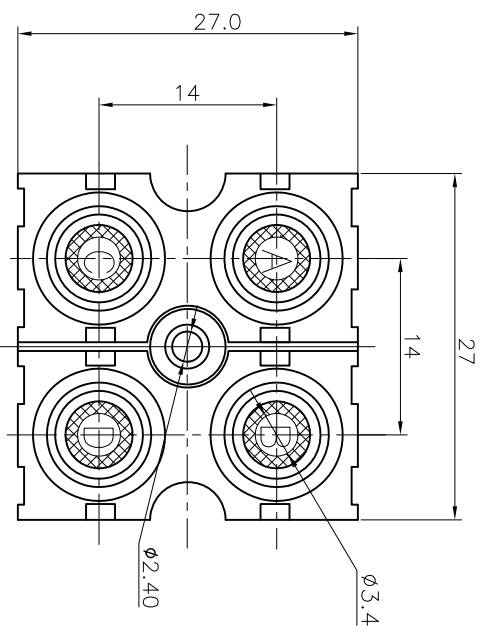
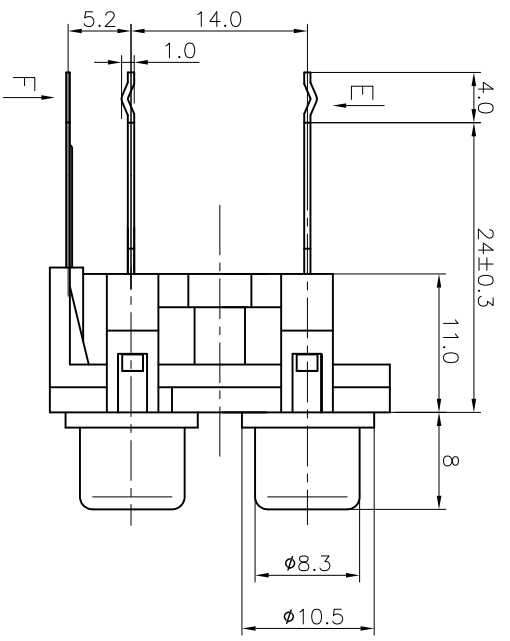
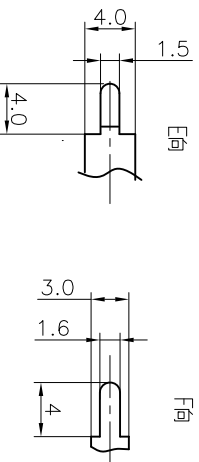


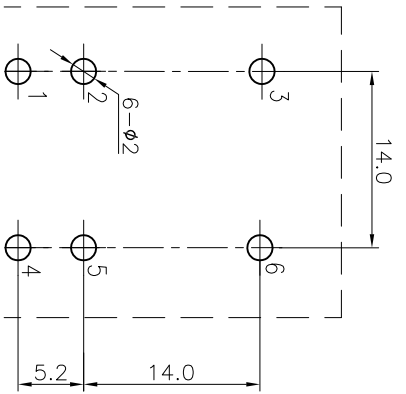
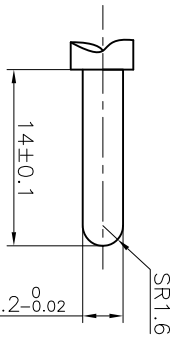
REV.	ECN NO.	MODIFIED MARK	APPROVED
A		FIRST RELEASE	



NOTES:
 ELECTRICAL:
 1: RATED CURRENT: 0.2A Max.
 2: RATED VOLTAGE: 50V AC.
 3: CONTACT RESISTANCE: 30 MILLIOHMS Max.
 AFTER TESTING: 100 MILLIOHMS Max.
 4: INSULATION RESISTANCE: 100 MEGAOHMS Min.
 5: DIELECTRIC WITHSTANDING VOLTAGE: 500 VAC Min.
 MECHANICAL:
 1: INSERTION FORCE: 3N-30N.
 2: WITHDRAWAL FORCE: 3N-30N.
 3: DURABILITY: 100 CYCLES.
 ENVIRONMENTAL:
 TEMPERATURE RANGE: -20°C TO 60°C.

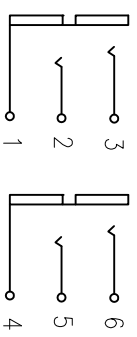


GAUGE PLUG:



PCB LAYOUT
TOP VIEW

SCHEMATIC



ANGLE	±5°
63 < L	±0.5
16 < L ≤ 63	±0.4
4 < L ≤ 16	±0.3
L ≤ 4	±0.2

TOL TABLE:
 THIS DOCUMENT IS THE PROPERTY OF
 TERPRO TECHNOLOGY CO., LTD., NO PART
 THEREOF MAY BE REPRODUCED AND
 USED WITHOUT THE PRIOR WRITTEN
 CONSENT OF THE OWNER

MODEL NAME: RCA-431B
(PART NO.)

广东正宝科技有限公司
 GUANGDONG TERPRO TECHNOLOGY CO., LTD.

DESIGN: Z.F.Lion 08/18'18 TITLE: RCA PIN JACK

CHECKED: L.W.Wu 08/18'18 DWG NO.:

APPROVED: Q.Hu 08/18'18 UNIT: mm VIEW: SCALE: SHEET: SIZE: REV.: A

