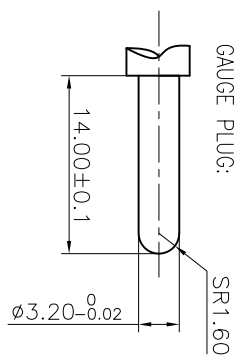
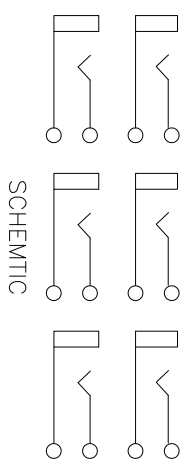
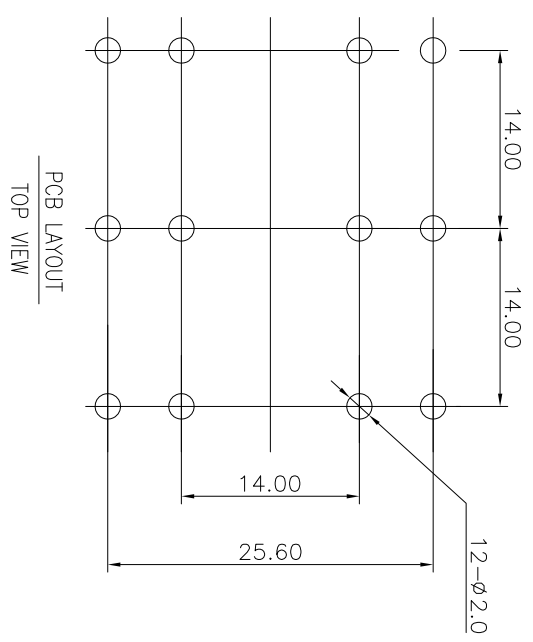
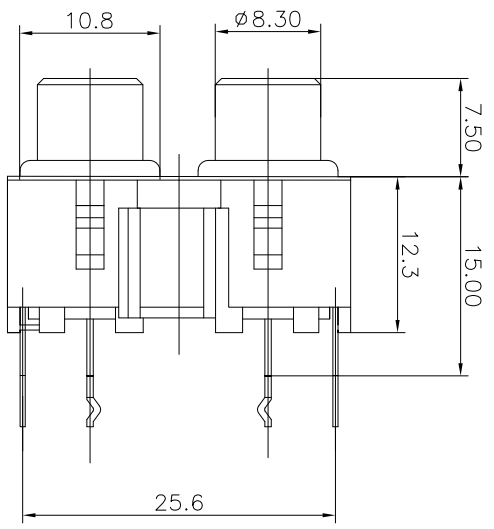
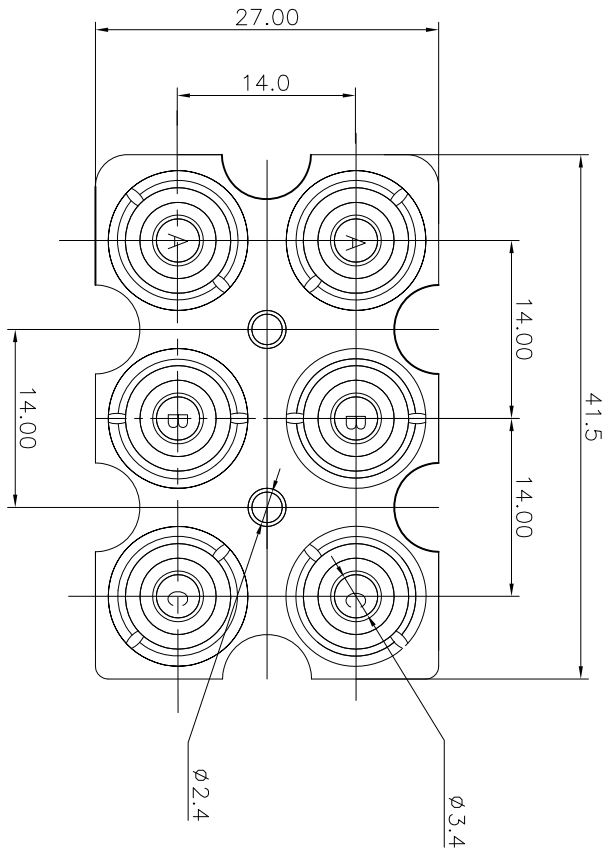


REV.	ECN NO.	MODIFIED MARK	APPROVED
A		FIRST RELEASE	



- NOTES:
- ELECTRICAL:
- 1: RATED CURRENT: 0.2A Max.
 - 2: RATED VOLTAGE: 50V AC.
 - 3: CONTACT RESISTANCE: 30 MEGOHMS Max. AFTER TESTING: 100 MEGOHMS Max.
 - 4: INSULATION RESISTANCE: 100 MEGOHMS Min.
 - 5: DIELECTRIC WITHSTANDING VOLTAGE: 500 VAC Min.
- MECHANICAL:
- 1: INSERTION FORCE: 3N-30N.
 - 2: WITHDRAWAL FORCE: 3N-30N.
 - 3: DURABILITY: 100 CYCLES.
- ENVIRONMENTAL:
- TEMPERATURE RANGE: -20°C TO 60°C.

ANGLE	$\pm 5^\circ$	MODEL NAME: RCA-606A	 广东正宝科技有限公司 GUANGDONG TERAPRO TECHNOLOGY CO., LTD.	TITLE: RCA PIN JACK	REV.: A
63 < L	± 0.5	(PART NO.)		DESIGN: Z.F.Lian 11/29'18	DWG NO.:
16 < L ≤ 63	± 0.4		CHECKED: L.W.Wu 11/29'18	VIEW: 5:1	SCALE: SHEET: 1/1
4 < L ≤ 16	± 0.3	MAT'L: See table	FINISH: See table	Q'TY: /	APPROVED: X.Q.Hu 11/29'18
L ≤ 4	± 0.2				

TOL TABLE:

THIS DOCUMENT IS THE PROPERTY OF TERAPRO TECHNOLOGY CO., LTD. NO PART THEREOF MAY BE REPRODUCED AND USED WITHOUT THE PRIOR WRITTEN CONSENT OF THE OWNER.