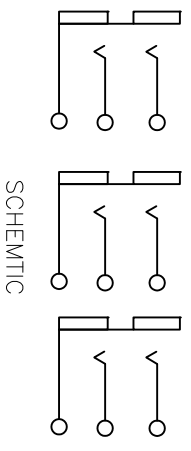
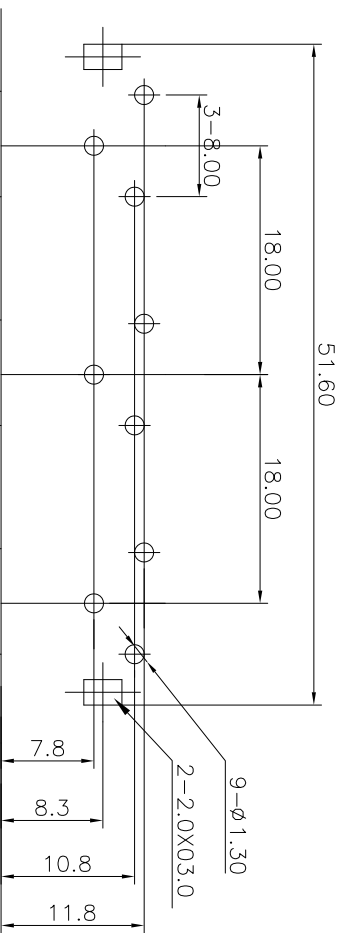
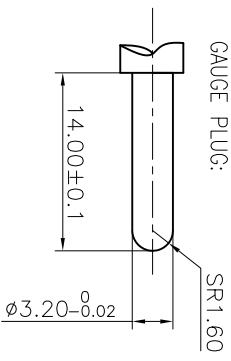
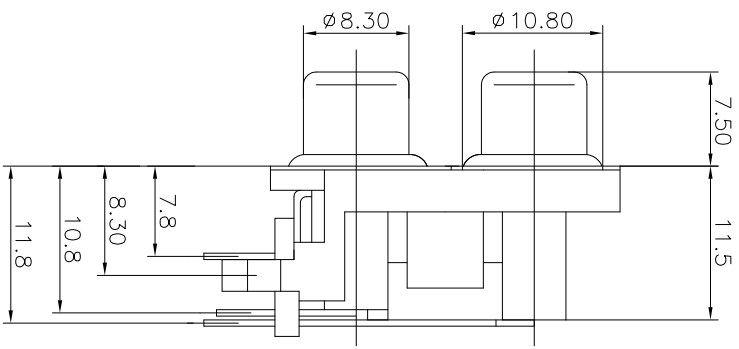
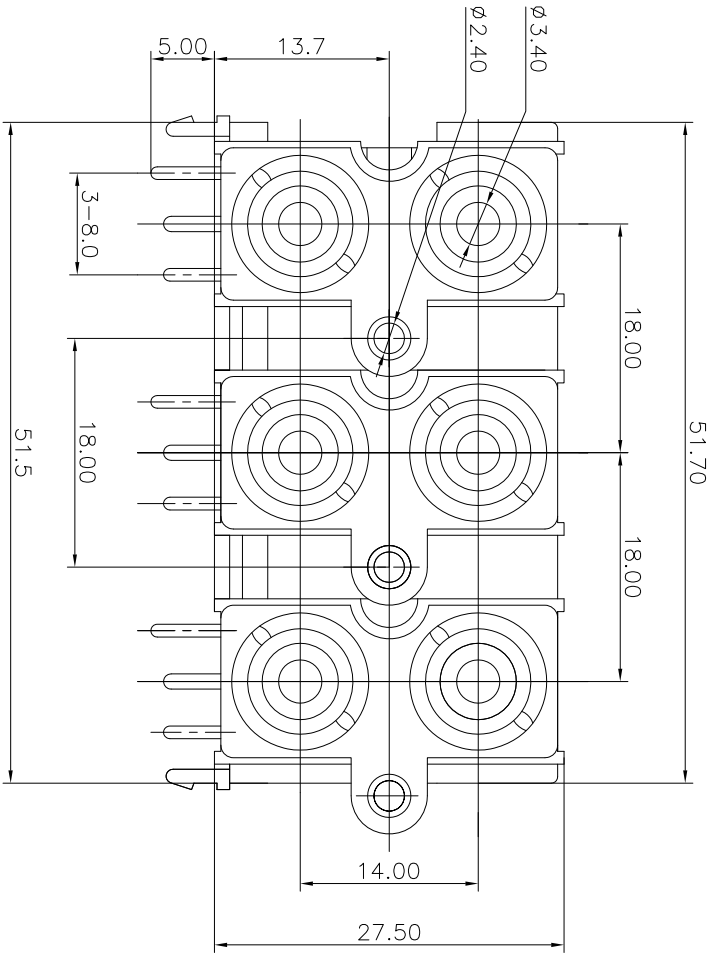


REV.	ECON NO.	MODIFIED MARK	APPROVED
A		FIRST RELEASE	



- NOTES:
- ELECTRICAL:
- 1: RATED CURRENT: 0.2A Max.
  - 2: RATED VOLTAGE: 50V AC.
  - 3: CONTACT RESISTANCE: 30 MILLIOHMS Max. AFTER TESTING: 100 MILLIOHMS Max.
  - 4: INSULATION RESISTANCE: 100 MEGAOHMS Min.
  - 5: DIELECTRIC WITHSTANDING VOLTAGE: 500 VAC Min.
- MECHANICAL:
- 1: INSERTION FORCE: 3N-30N.
  - 2: WITHDRAWAL FORCE: 3N-30N.
  - 3: DURABILITY: 100 CYCLES.
- ENVIRONMENTAL:
- TEMPERATURE RANGE: -20°C TO 60°C.

PCB LAYOUT  
TOP VIEW

MODEL NAME: RCA-609P  
(PART NO.)

DESIGN: Z.F.Lion 11/29'18 TITLE: RCA PIN JACK

CHECKED: L.W.Wu 11/29'18 DWG NO.:



广东正宝科技有限公司  
GUANGDONG TREPRO TECHNOLOGY CO., LTD.

ANGLE	±5°
63 < L	±0.5
16 < L ≤ 63	±0.4
4 < L ≤ 16	±0.3
L ≤ 4	±0.2

TOL TABLE:

THIS DOCUMENT IS THE PROPERTY OF TREPRO TECHNOLOGY CO., LTD. NO PART THEREOF MAY BE REPRODUCED AND USED WITHOUT THE PRIOR WRITTEN CONSENT OF THE OWNER

MAT'L: See table

FINISH: See table

Q'TY: /

APPROVED: X.Q.Hu 11/29'18

UNIT: mm

VIEW:

SCALE: 5:1

SHEET: 1/1

SIZE: A3

REV.: A