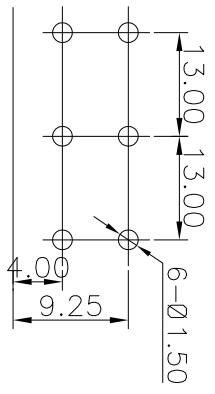
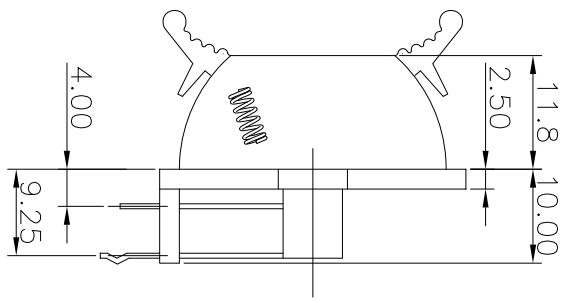
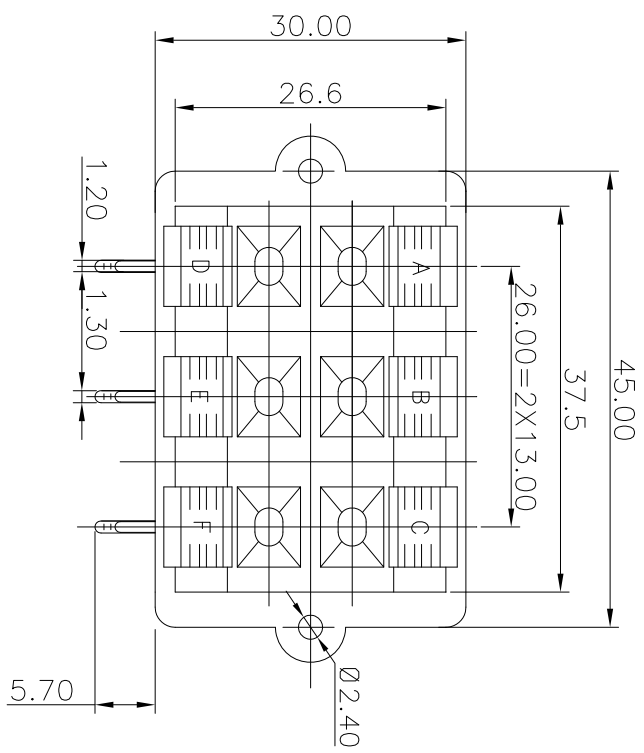



REV.	ECN NO.	MODIFIED MARK	APPROVED
A	—	FIRST RELEASE	



PCB LAYOUT  
TOP VIEW

NOTES:  
ELECTRICAL:  
1:RATED CURRENT: 3A Max.  
2:RATED VOLTAGE: 50V AC.  
3:INSULATION RESISTANCE: 100 MEGAOHMS Min.  
4:DIELECTRIC WITHSTANDING VOLTAGE: 1200 VAC Min.  
MECHANICAL:  
1:WIRE IN HOLD FORCE 5N (20#WIRE) MIN  
2:INSPECTED VOLTAGE, AT THE SPEED OF 6-10S PER MINUTES, THE SAMPLES ARE INSPECTED 10000 CYCLES, BUT THERE ARE NO DAMAGE ON THE PRESSURE AND THE RISING TEMPERATURE, ETC.3:APPLY 2kgf FORCE AT ANY DIRECTION , THERE NO LOOSE & NO CRACK

ANGLE	±5°	MODEL NAME: WP6-3	 广东正宝科技有限公司 GUANGDONG TRENPPO TECHNOLOGY CO. LTD.	TITLE: WP PUSH TERMINAL	REV.: A
63 < L	±0.5	(PART NO.)		DWG NO.:	SIZE: A3
16 < L ≤ 63	±0.4	MAT'L:	DESIGN: X.H.Wang 11/06'18	UNIT: mm	SCALE: 5:1
4 < L ≤ 16	±0.3	FINISH:	CHECKED: L.W.Wu 11/06'18	VIEW:	SHEET: 1/1
L ≤ 4	±0.2	See table	Q'TY: /	APPROVED: X.Q.Hu 11/06'18	
TOL TABLE:					
THIS DOCUMENT IS THE PROPERTY OF TRENPPO TECHNOLOGY CO., LTD. NO PART THEREOF MAY BE REPRODUCED AND USED WITHOUT THE PRIOR WRITTEN CONSENT OF THE OWNER					