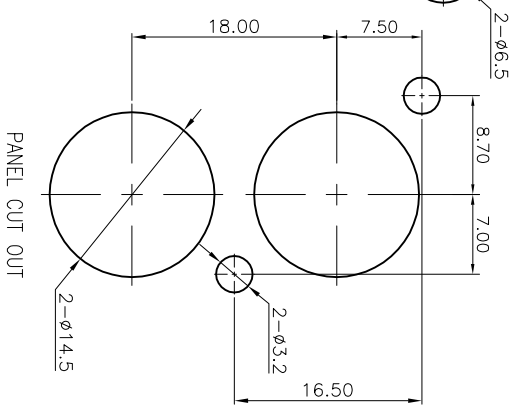
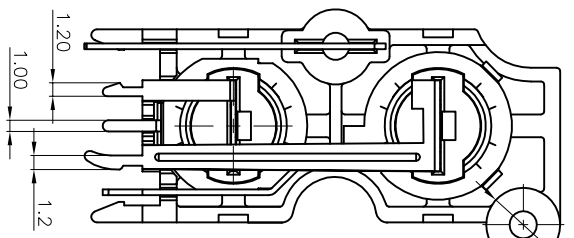
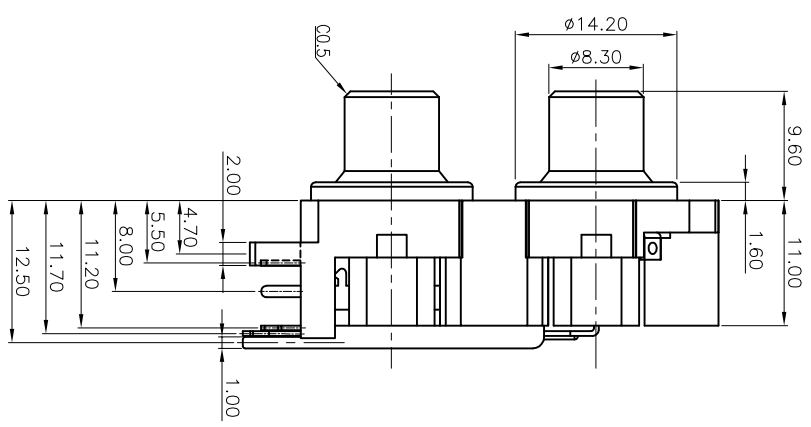
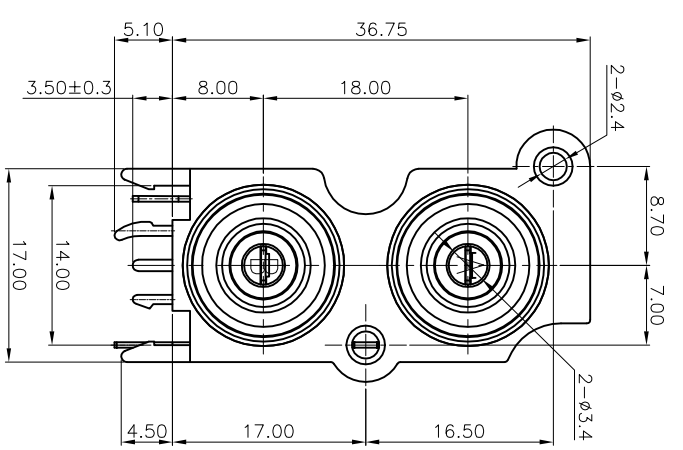
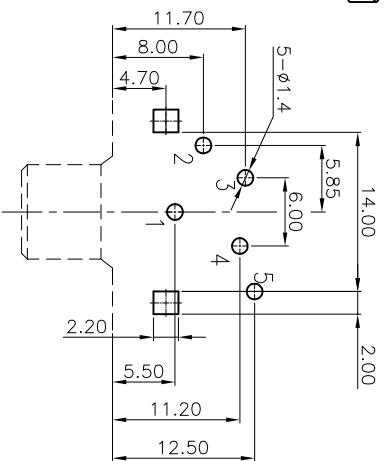
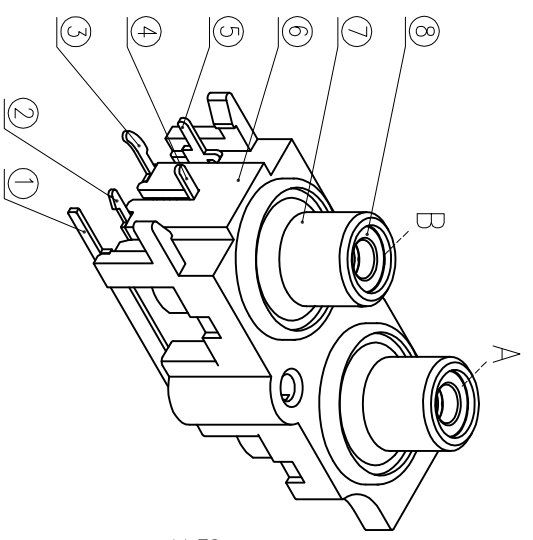
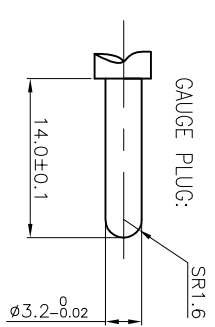
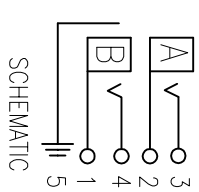


REV.	ECN NO.	MODIFIED MARK	APPROVED
X3		FIRST RELEASE	



COLOR TABLE	
P/N	COLOR
A	BLACK
B	BLACK



NO.	PART NAME	Q'TY	MATERIAL	REMARK
①	TERMINAL-A	1	BRASS t=0.5	
②	TERMINAL-B	1	BRASS t=0.4	
③	TERMINAL-C	1	BRASS t=0.4	
④	TERMINAL-D	1	BRASS t=0.5	
⑤	TERMINAL-E	1	BRASS t=0.5	
⑥	HOUSE	1	PP0	
⑦	SOCKET	2	BRASS	
⑧	WASHER	2	PBT	SEE COLOR TABLE

ANGLE	TOLERANCE
63 < L	±0.5
16 < L ≤ 63	±0.4
4 < L ≤ 16	±0.3
L ≤ 4	±0.2

MODEL NAME: RCA-232 (PART NO.)	DESIGN: Z.F.Lion	TITLE: RCA PIN JACK
MAT'L: See table	CHECKED: L.W.Wu	DWG NO.:
FINISH: See table	APPROVEDX: Q.Hu	SCALE: 5:1
Q'TY./:	DATE: 11/06'19	SHEET: 1/1
	UNIT: mm	SIZE: A3



REVISIONS:

- NOTES:
- ELECTRICAL:
- 1: RATED CURRENT: 0.2A Max.
 - 2: RATED VOLTAGE: 50V AC.
 - 3: CONTACT RESISTANCE: 30 MILLIOHMS Max.
- AFTER TESTING: 100 MILLIOHMS Max.
- 4: INSULATION RESISTANCE: 100 MEGAOHMS Min.
- 5: DIELECTRIC WITHSTANDING VOLTAGE: 500 VAC Min.
- MECHANICAL:
- 1: INSERTION FORCE: 3N-30N.
 - 2: WITHDRAWAL FORCE: 3N-30N.
 - 3: DURABILITY: 100 CYCLES.
- ENVIRONMENTAL:
- TEMPERATURE RANGE: -20°C TO 60°C.