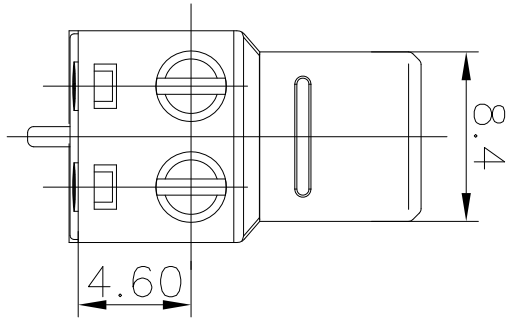
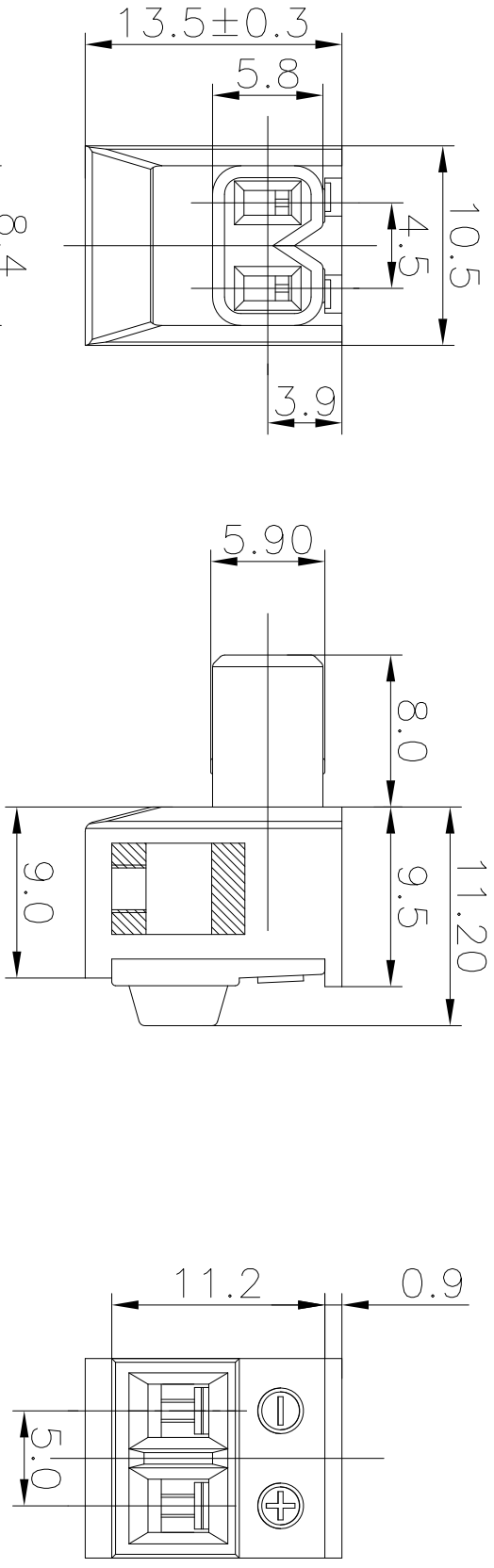



REV.	ECN NO.	MODIFIED MARK	APPROVED
A		FIRST RELEASE	



ANGLE	±5°	MODEL NAME: WP2-22A (PART NO.)		TITLE: WP PUSH TERMINAL	
63 < L	±0.5	DESIGN: X.H.Wang 08/31'18		DWG NO.:	
16 < L ≤ 63	±0.4	CHECKED: L.W.Wu 08/31'18		REV.: A	
4 < L ≤ 16	±0.3	MATERIAL: See table		UNIT: mm	
L ≤ 4	±0.2	FINISH: See table		VIEW:	
TOL TABLE:		QTY: /		SCALE: 5:1	
THIS DOCUMENT IS THE PROPERTY OF TRENPRO TECHNOLOGY CO., LTD. NO PART THEREOF MAY BE REPRODUCED AND USED WITHOUT THE PRIOR WRITTEN CONSENT OF THE OWNER		APPROVED: X.Q.Hu 08/31'18		SHEET: 1/1	
				SIZE: A3	


 广东正宝科技有限公司
 GUANGDONG TRENPRO TECHNOLOGY CO., LTD.