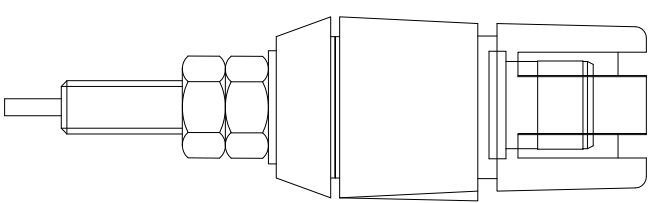
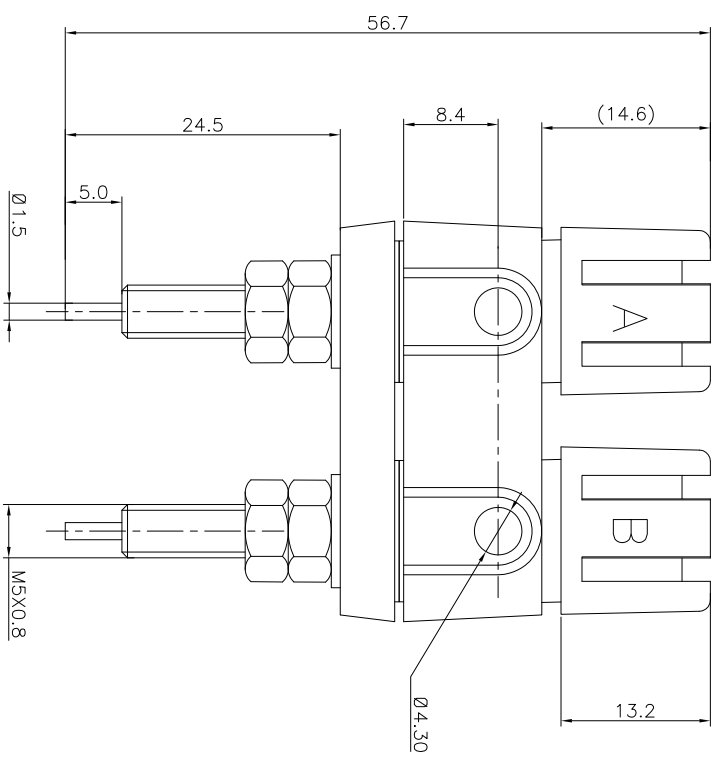
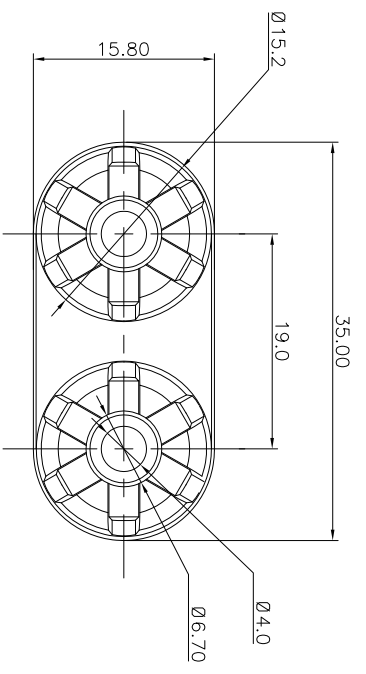


REV.	ECN NO.	MODIFIED MARK	APPROVED
A	—	FIRST RELEASE	



NOTES:

ELECTRICAL:

- 1: RATED CURRENT: 3A Max.
- 2: RATED VOLTAGE: 50V AC.
- 3: INSULATION RESISTANCE: 100 MEGAOHMS Min.
- 4: DIELECTRIC WITHSTANDING VOLTAGE: 1200 VAC Min.

MECHANICAL:

- 1: WIRE IN HOLD FORCE 5N (20#WIRE) MIN
- 2: INSPECTED VOLTAGE, AT THE SPEED OF 6-10S PER MINUTES, THE SAMPLES ARE INSPECTED 10000 CYCLES, BUT THERE ARE NO DAMAGE ON THE PRESSURE AND THE RISING TEMPERATURE, ETC.
- 3: APPLY 2kgf FORCE AT ANY DIRECTION , THERE NO LOOSE & NO CRACK

ANGLE	±5°	MODEL NAME: WP2-23 (PART NO.)		广东正宝科技有限公司 GUANGDONG TRENPPO TECHNOLOGY CO. LTD.
63 < L	±0.5	MAT'L: See table	DESIGN: X.H.Wang 11/06'18	TITLE: WP PUSH TERMINAL
16 < L ≤ 63	±0.4	FINISH: See table	CHECKED: L.W.Wu 11/06'18	DWG NO.:
4 < L ≤ 16	±0.3	Q'TY: /	APPROVED: X.Q.Hu 11/06'18	UNIT: mm
L ≤ 4	±0.2			VIEW:
TOL TABLE:				SCALE: 5:1
THIS DOCUMENT IS THE PROPERTY OF TRENPPO TECHNOLOGY CO. LTD. NO PART THEREOF MAY BE REPRODUCED AND USED WITHOUT THE PRIOR WRITTEN CONSENT OF THE OWNER				SHEET: 1/1
				SIZE: A3

