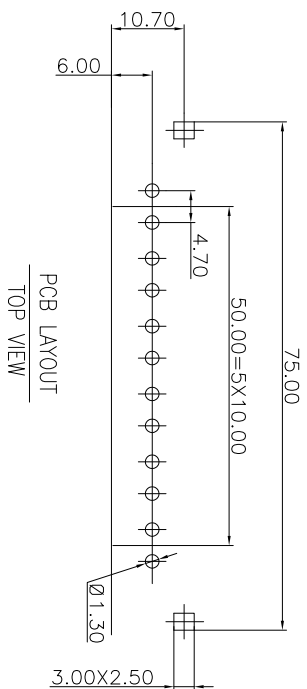
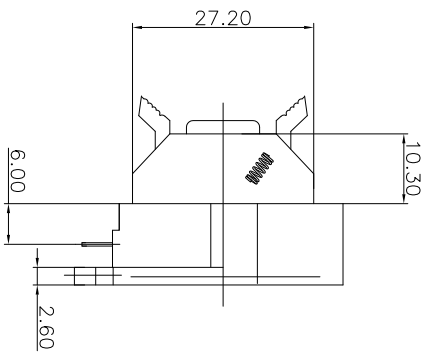
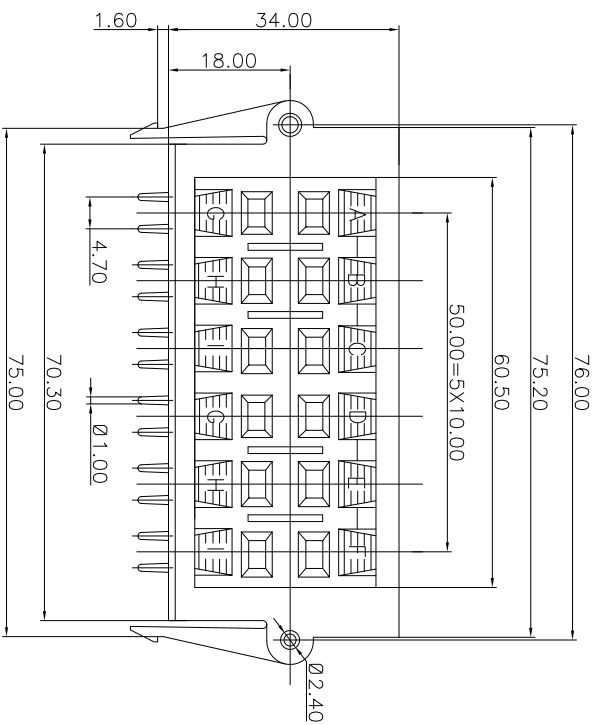




REV.	ECN NO.	MODIFIED MARK	APPROVED
A	---	FIRST RELEASE	



NOTES:
ELECTRICAL:
1:RATED CURRENT: 3A Max.
2:RATED VOLTAGE: 50V AC.
3:INSULATION RESISTANCE: 100 MEGAOHMS Min.
4:DIELECTRIC WITHSTANDING VOLTAGE: 1200 VAC Min.
MECHANICAL:
1:WIRE IN HOLD FORCE 5N (20#WIRE) MIN
2:INSPECTED VOLTAGE, AT THE SPEED OF 6-10S PER MINUTES, THE SAMPLES ARE INSPECTED 10000 CYCLES, BUT THERE ARE NO DAMAGE ON THE PRESSURE AND THE RISING TEMPERATURE, ETC.3.APPLY 2kgf FORCE AT ANY DIRECTION , THERE NO LOOSE & NO CRACK

ANGLE	±5°	MODEL NAME: WP12-11FB (PART NO.)	 广东正宝科技有限公司 GUANGDONG TRENPPO TECHNOLOGY CO. LTD.
63 < L	±0.5	MAT'L: See table	
16 < L ≤ 63	±0.4	FINISH: See table	
4 < L ≤ 16	±0.3	CHECKED: L.W.Wu 08/16'18	
L ≤ 4	±0.2	DESIGN: X.H.Wang 08/16'18	
TOL TABLE:		TITLE: WP PUSH TERMINAL	

THIS DOCUMENT IS THE PROPERTY OF ZHENWEN ELECTRONICS CO.,LTD. PART THEREOF MAY BE REPRODUCED AND USED WITHOUT THE PRIOR WRITTEN CONSENT OF THE OWNER		Q'TY: /	APPROVED: X.Q.Hu 08/16'18	UNIT: mm	VIEW: 	SCALE: 5:1	SHEET: 1/1	SIZE: A3
--	--	---------	---------------------------	----------	---	------------	------------	----------